
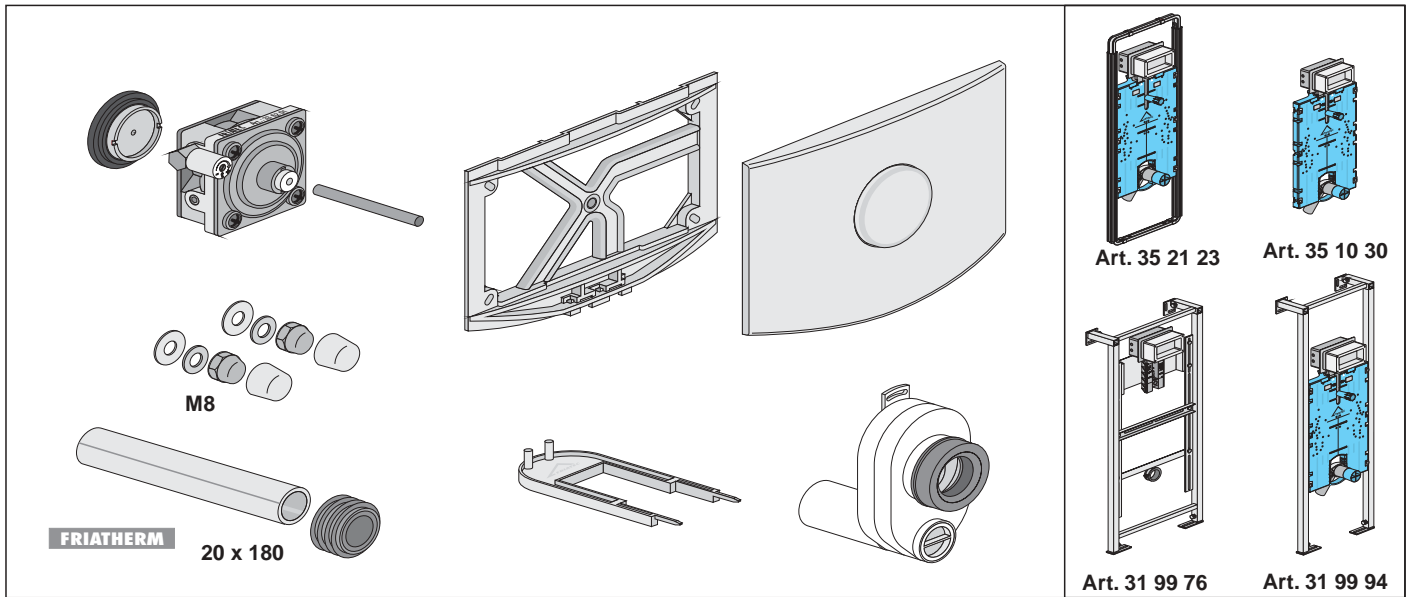
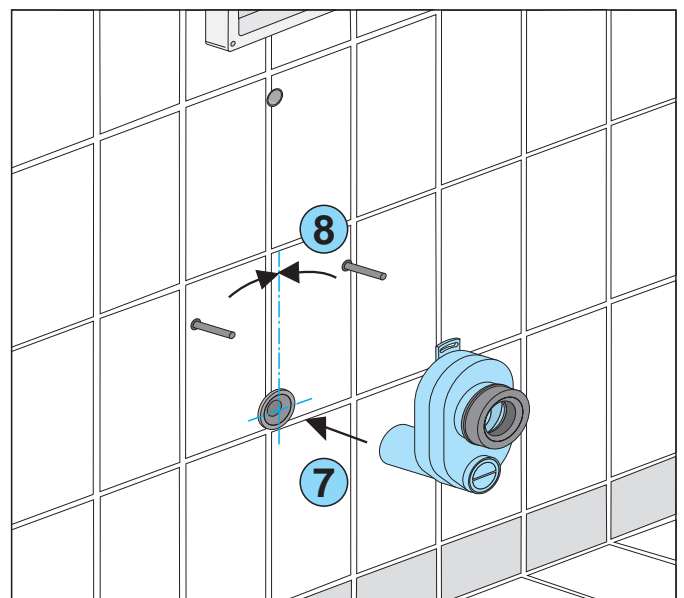
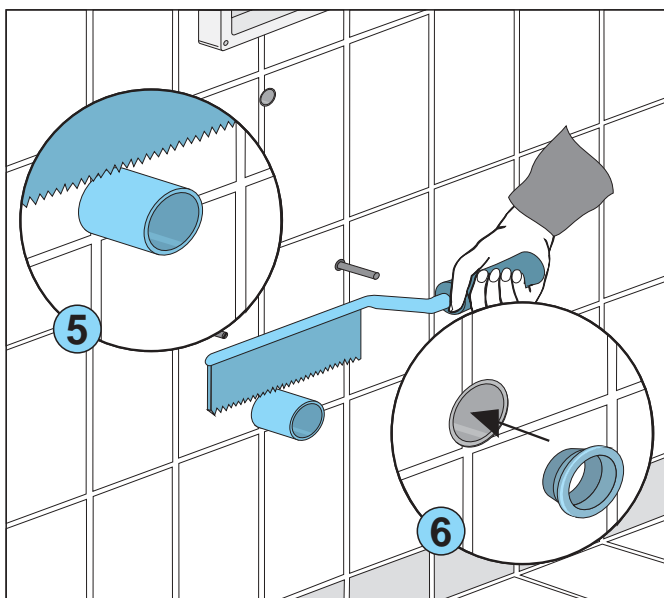
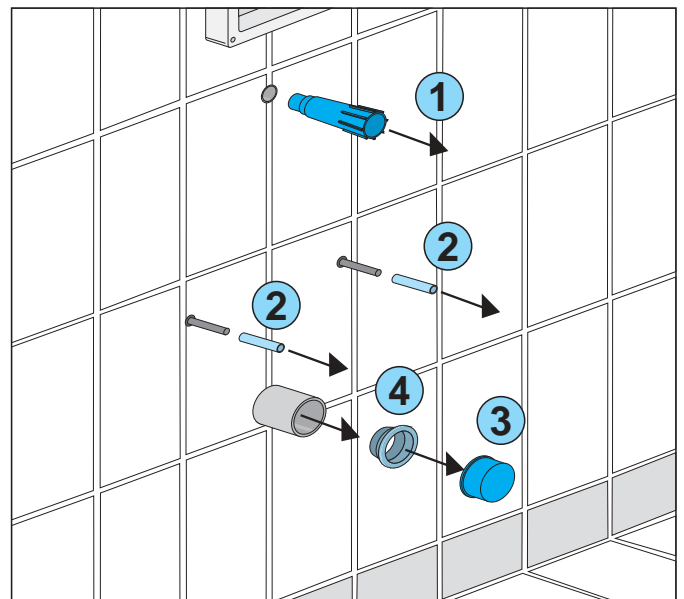
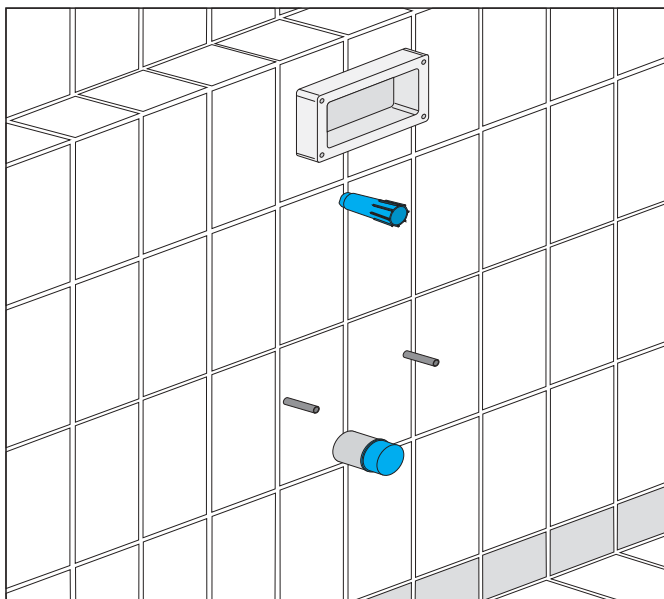


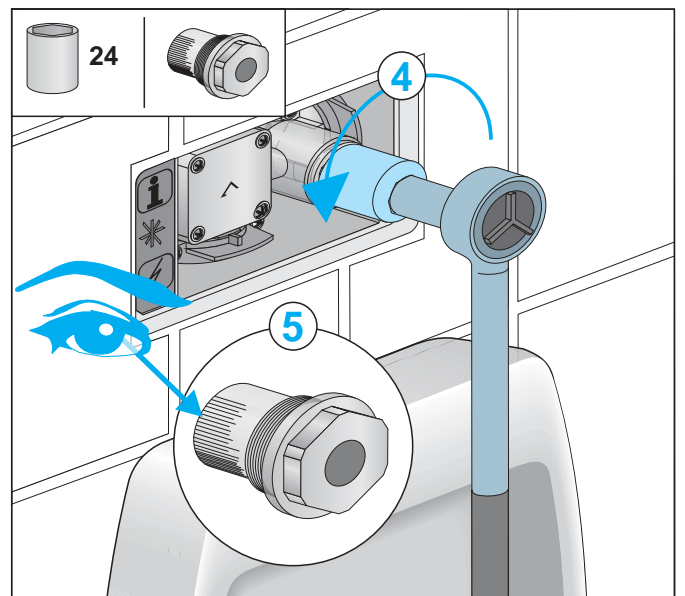
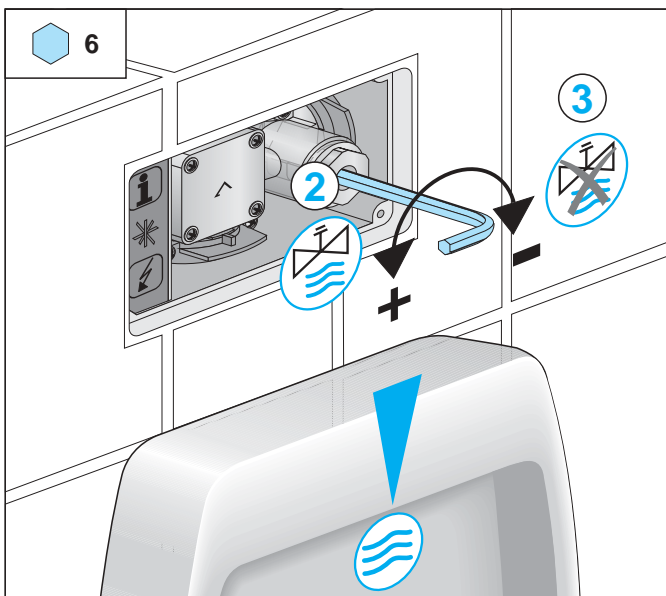
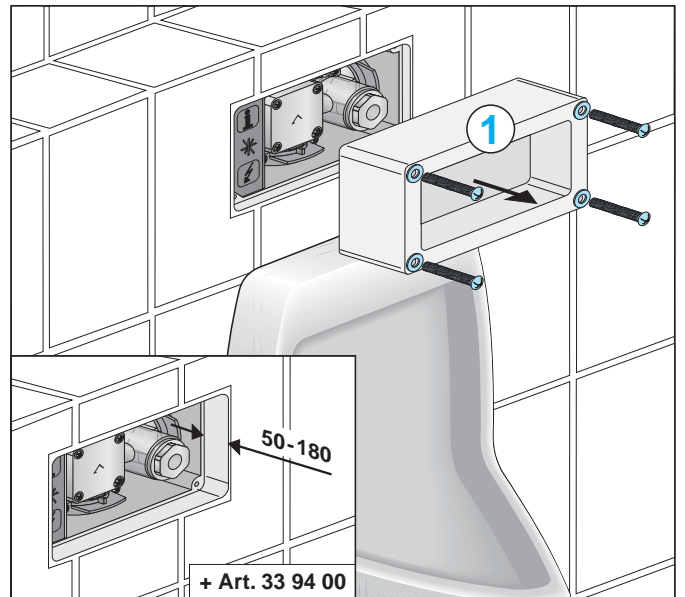
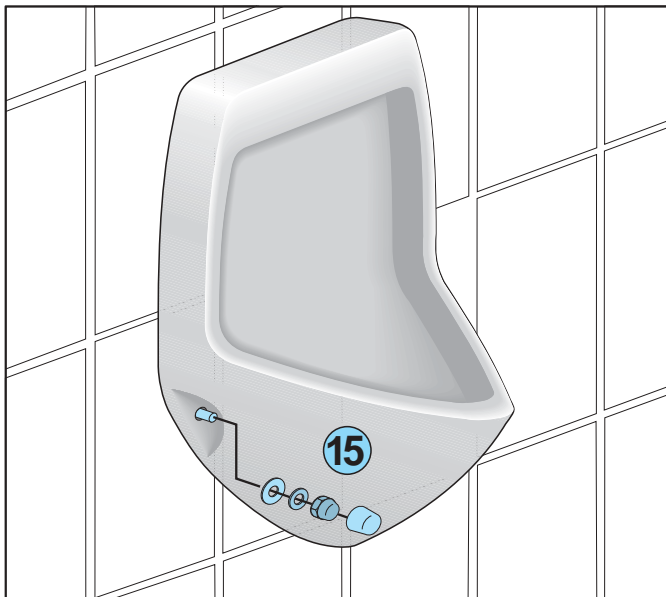
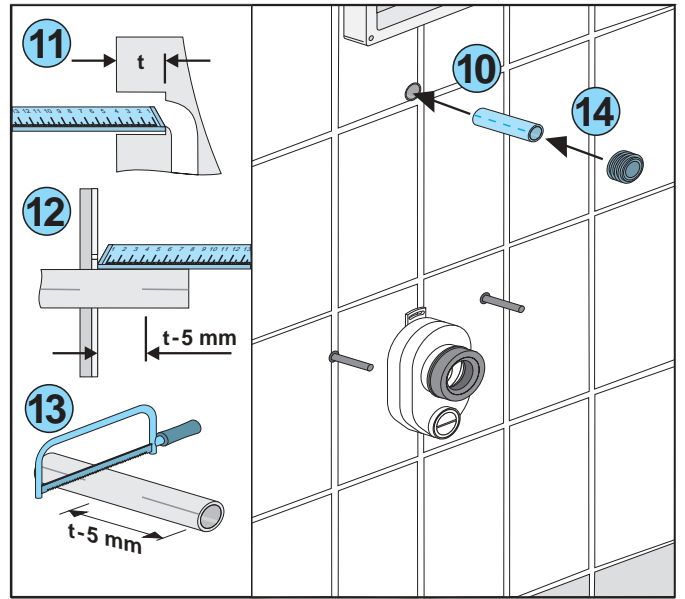
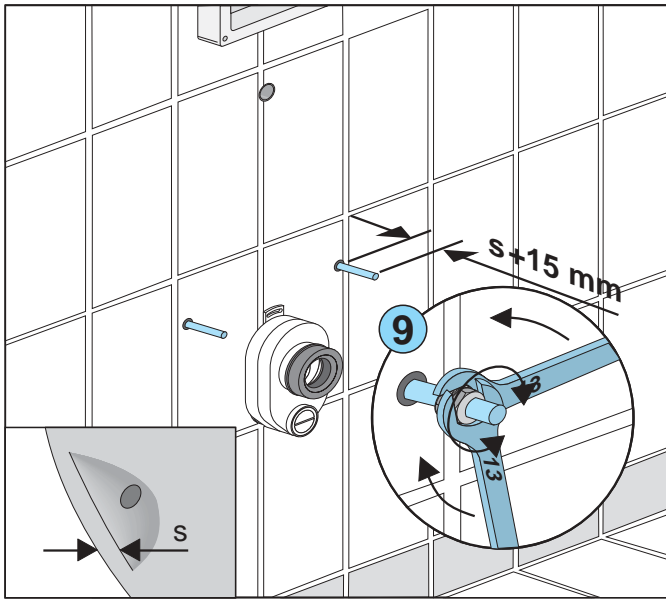
Art. 33 50 xx

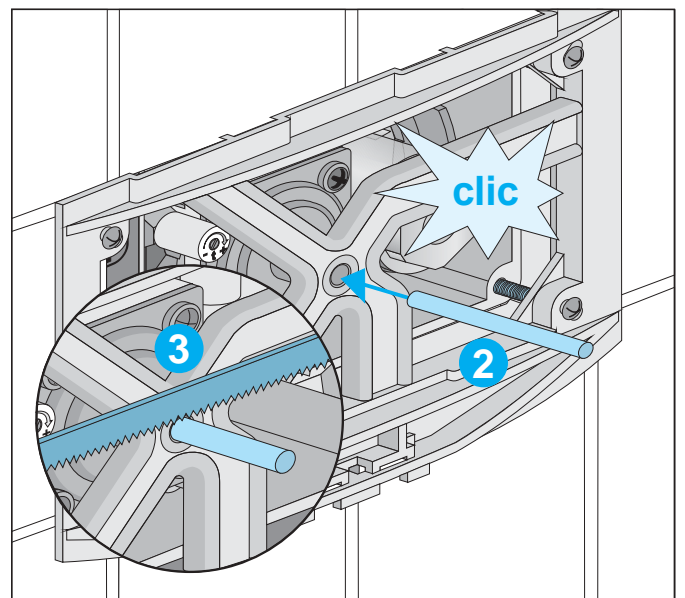
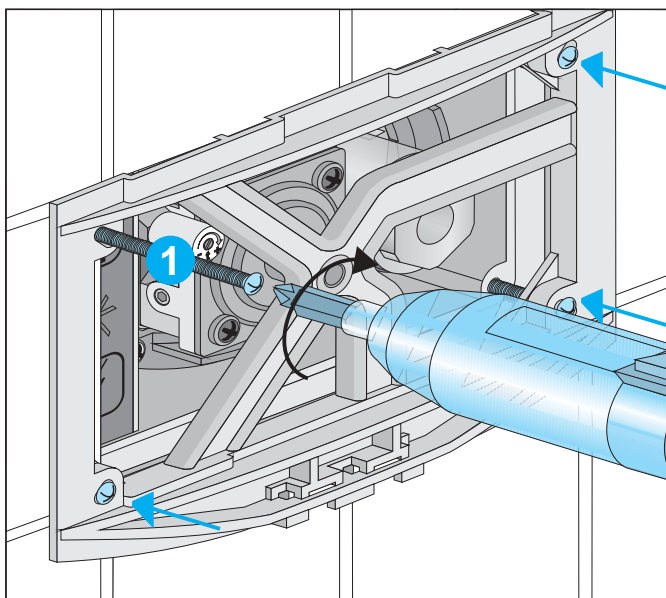
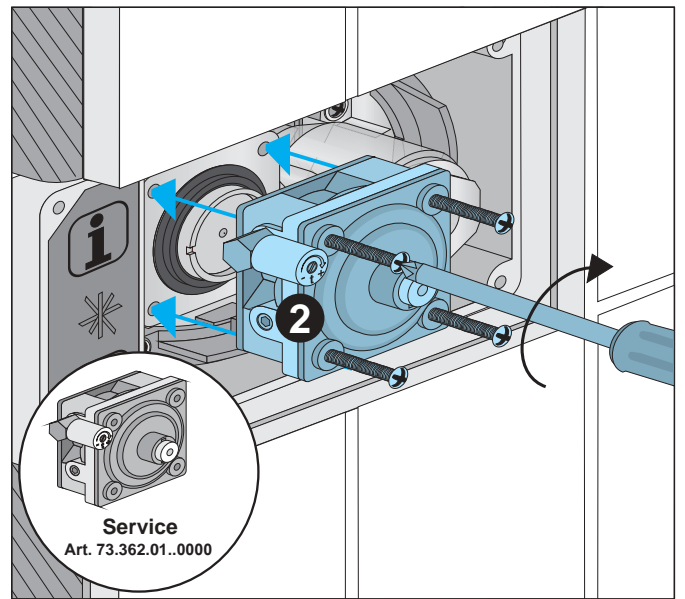
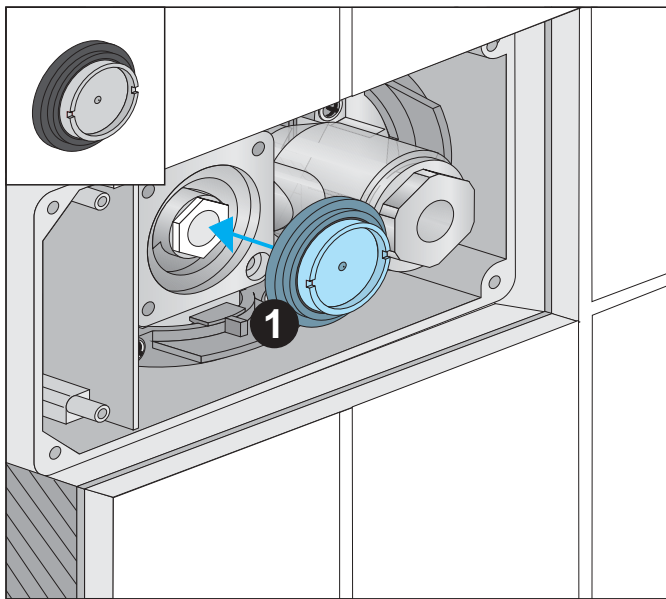
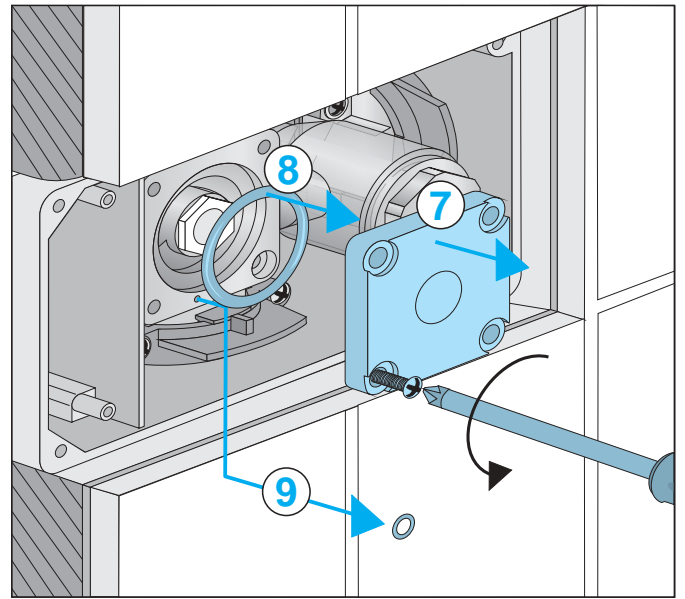
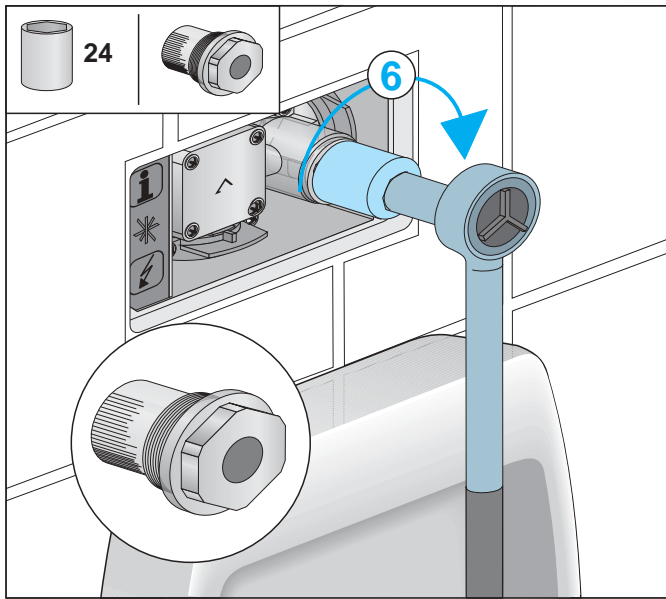
* xx = 

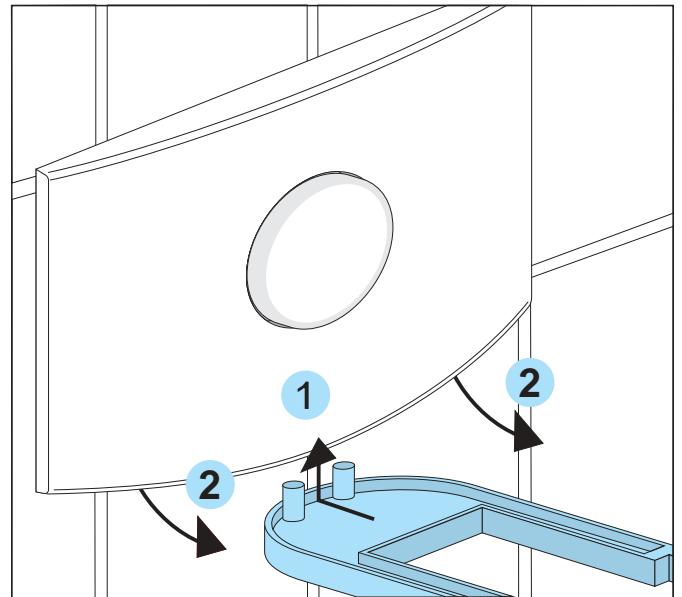
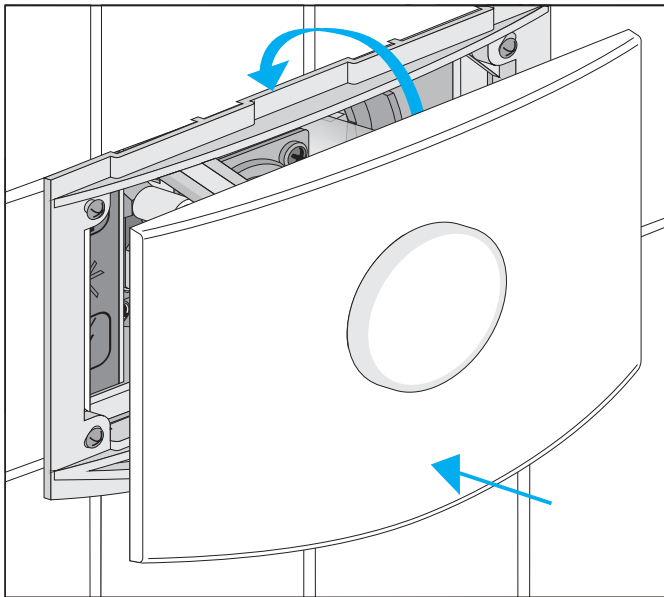
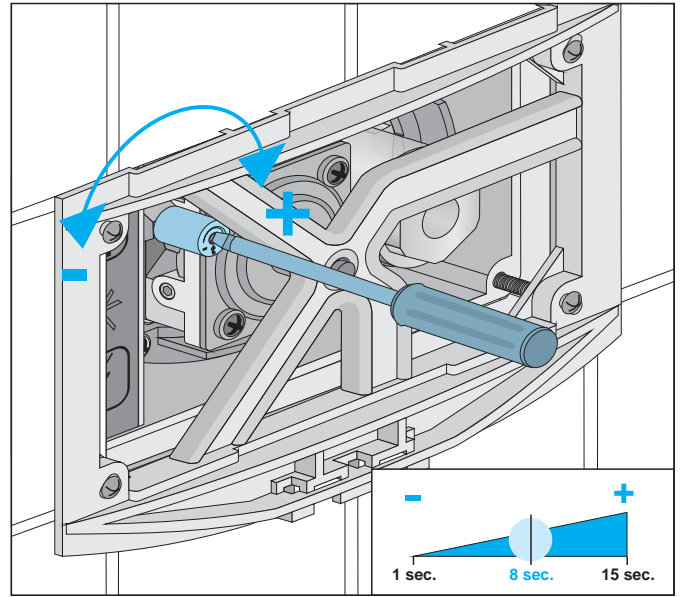
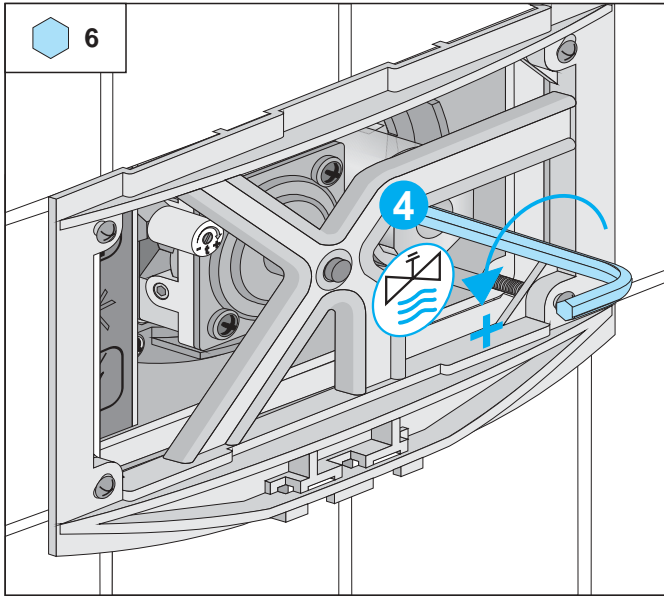


VII/04 • 310560.00

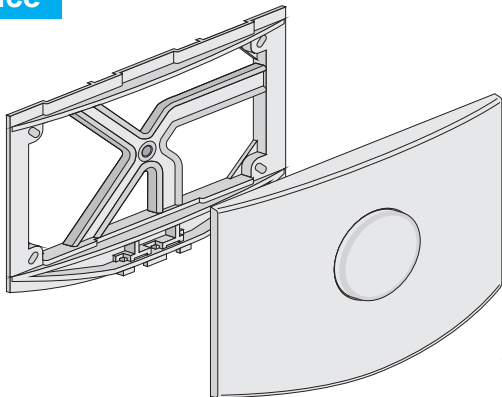




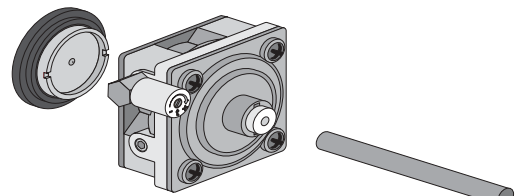




Service



Art. 37.361.01..0000



Art. 73.362.01..0000

Art. 73.364.00..0000