
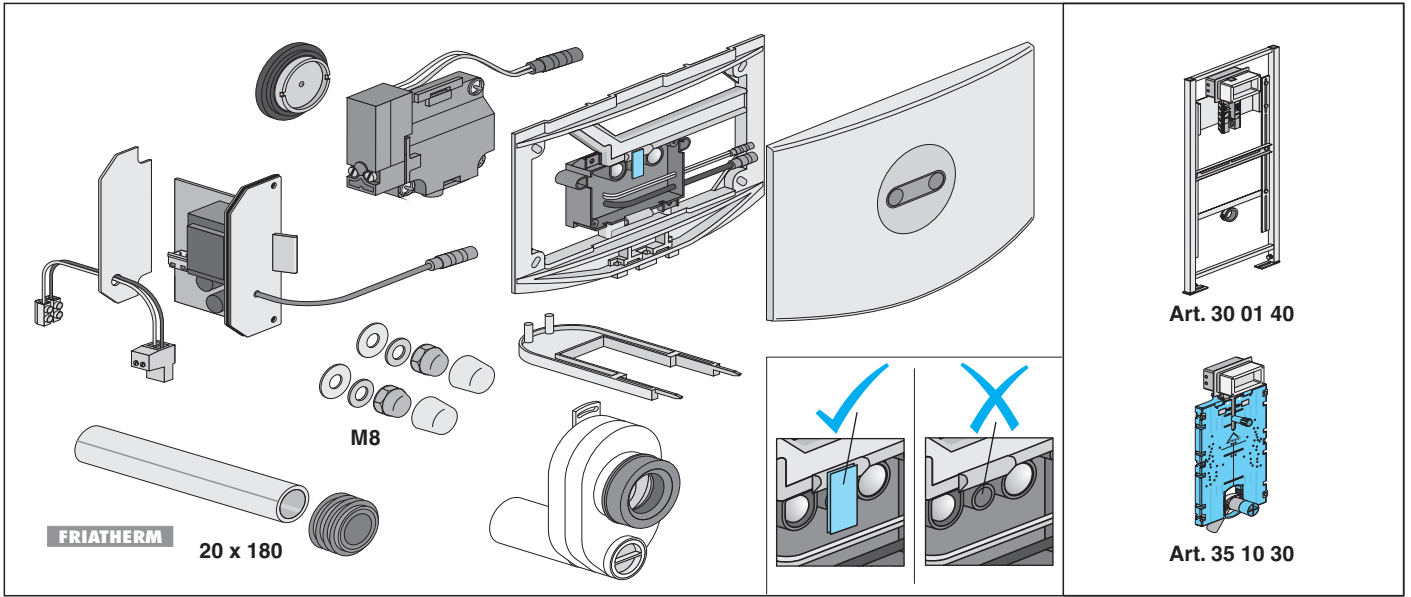


Art. 33 45 xx

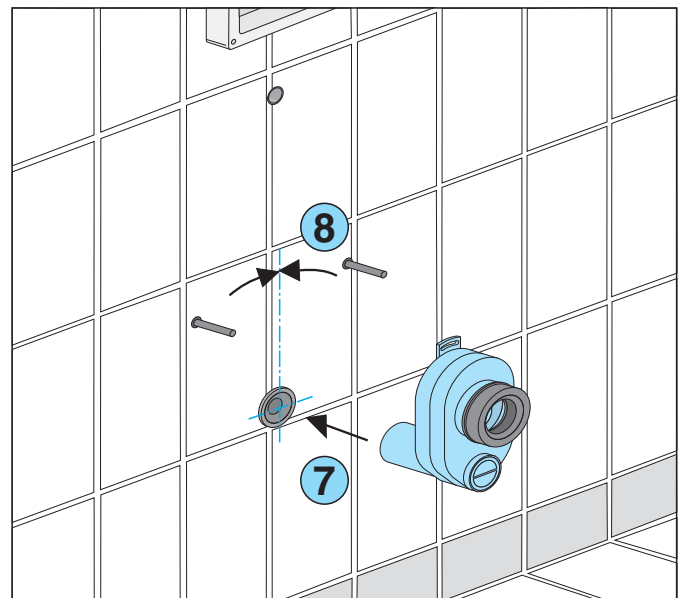
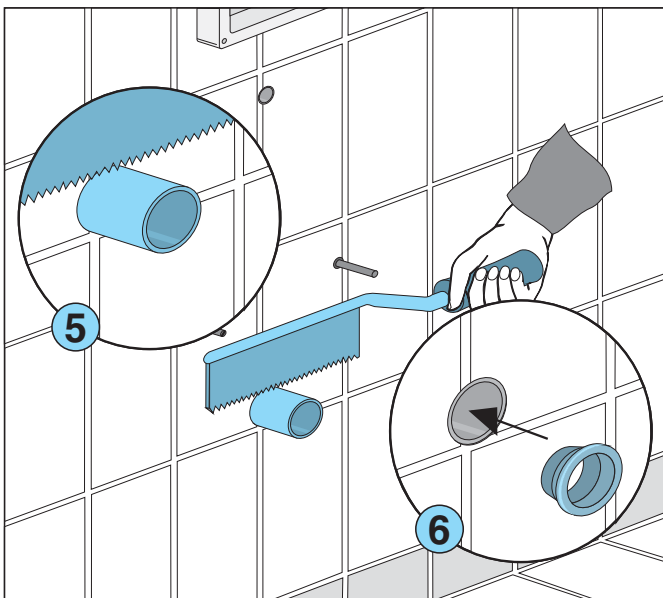
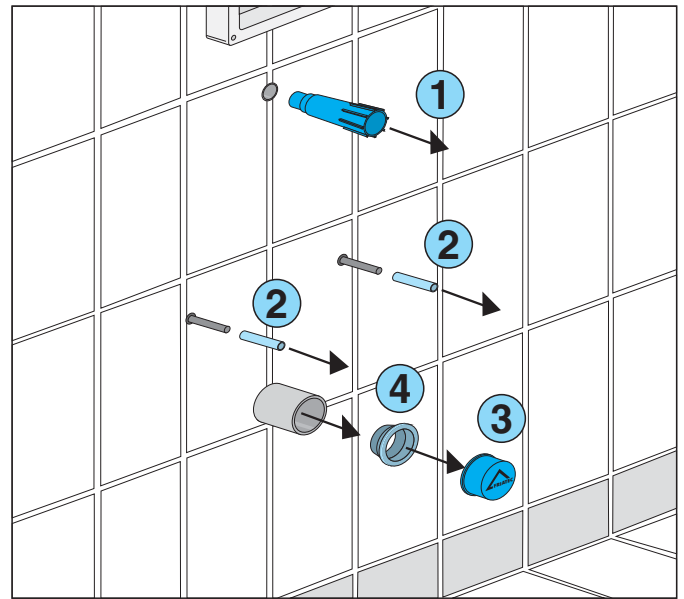
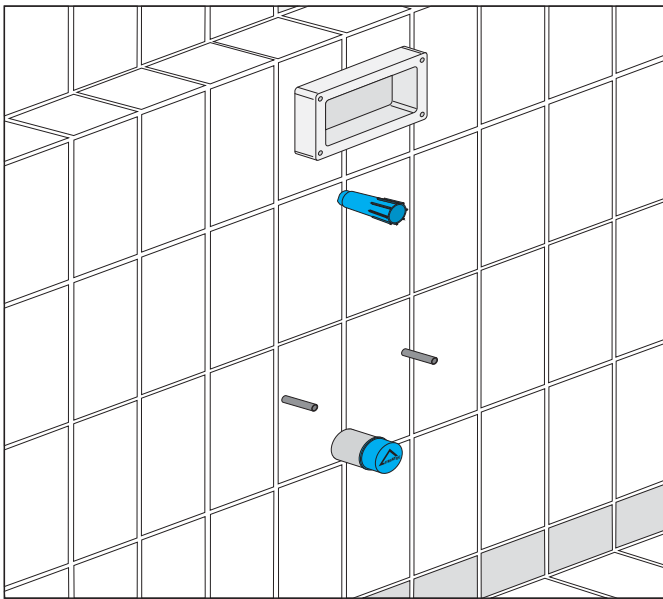
 230 V

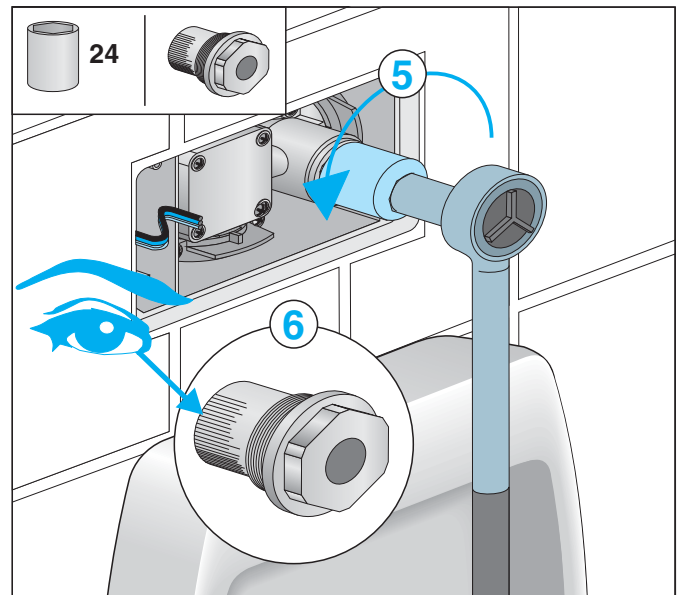
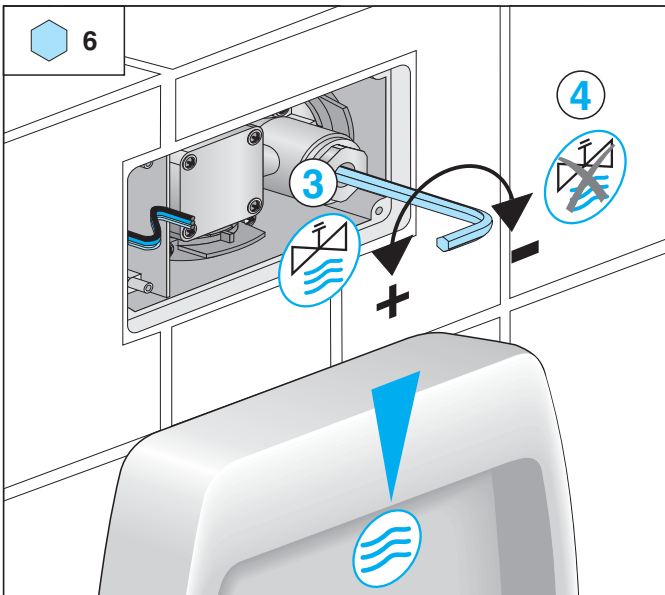
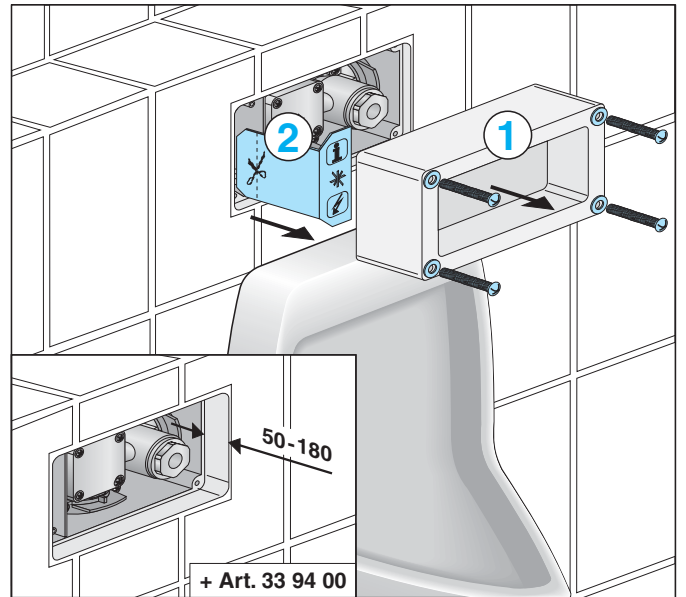
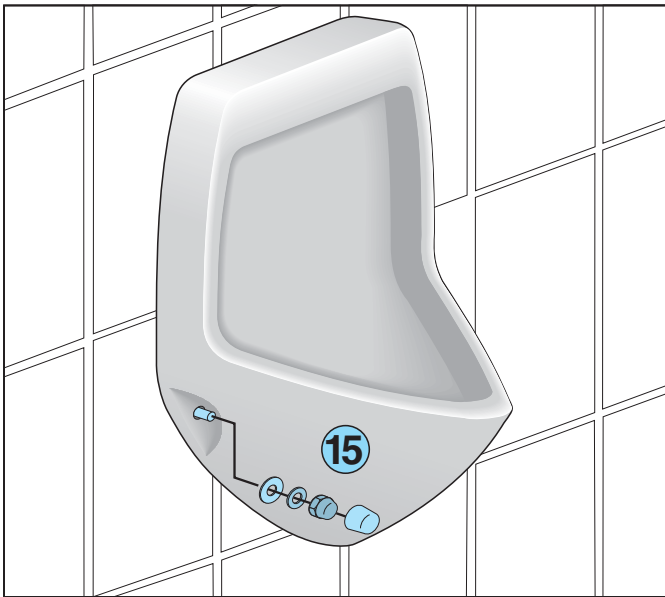
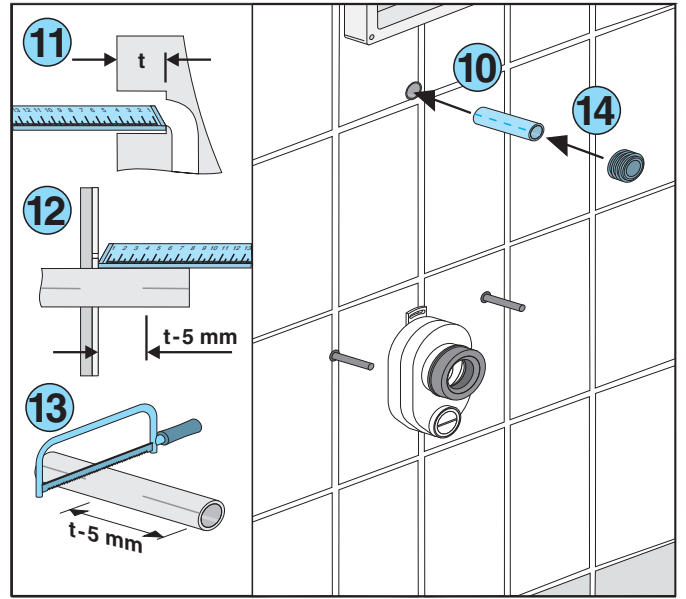
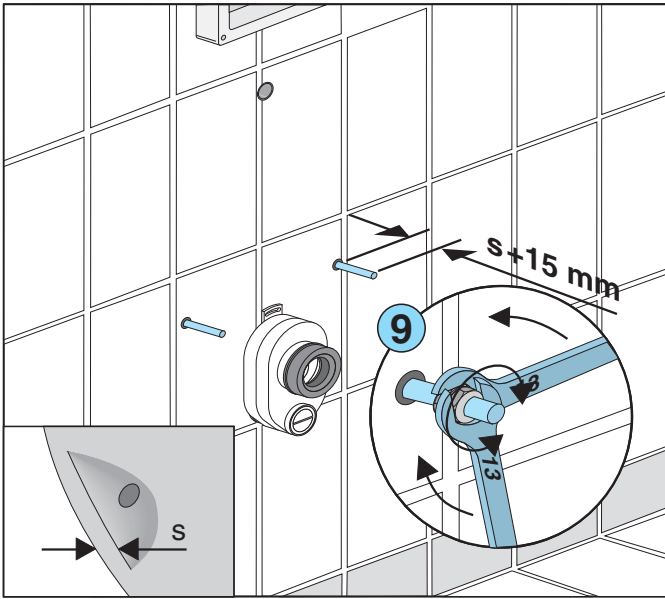
* xx = 

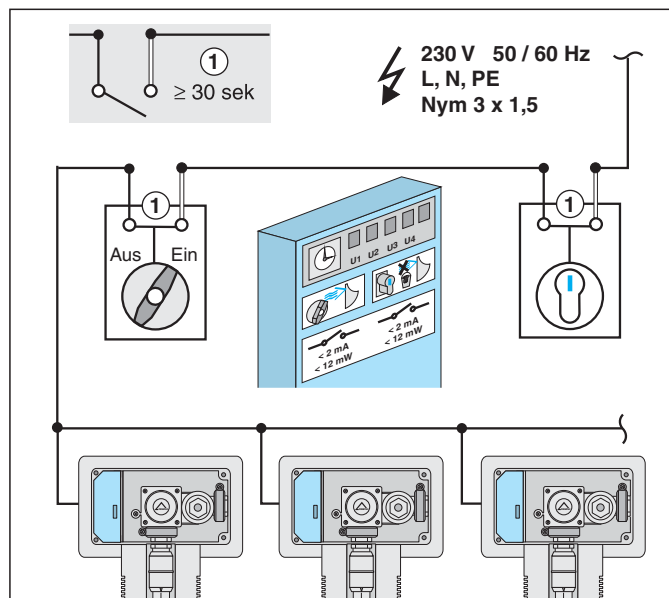
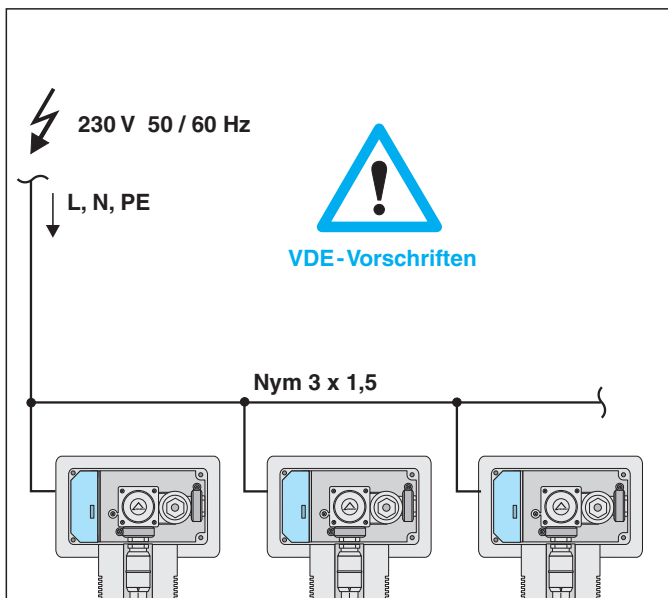
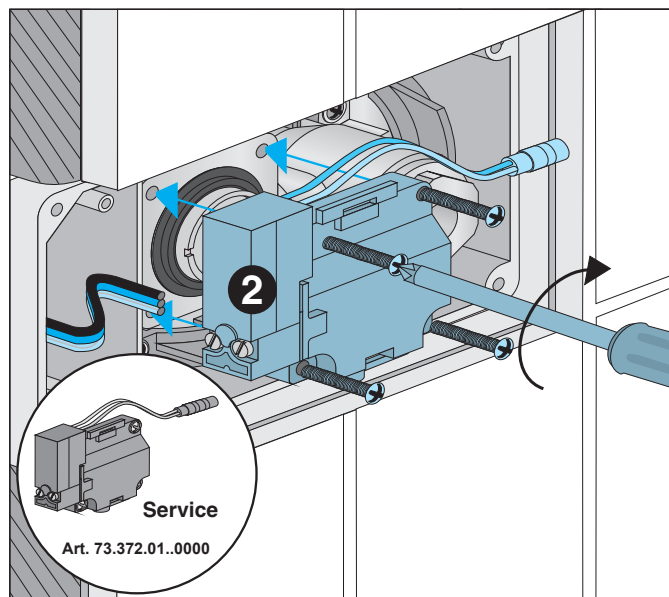
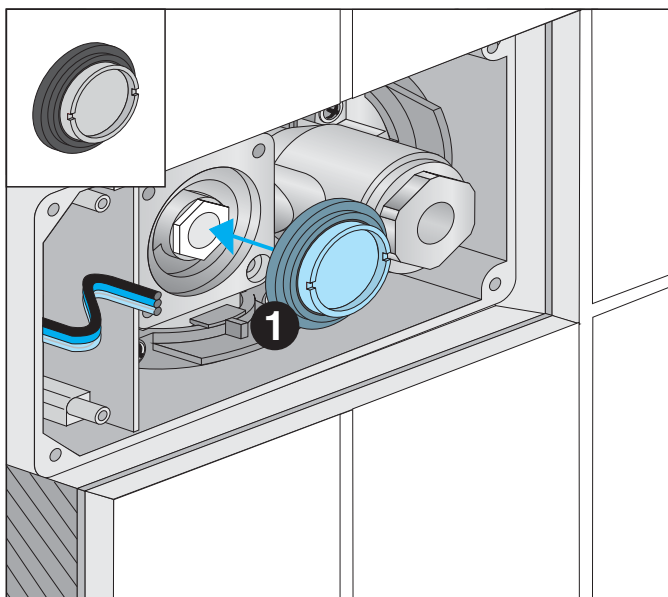
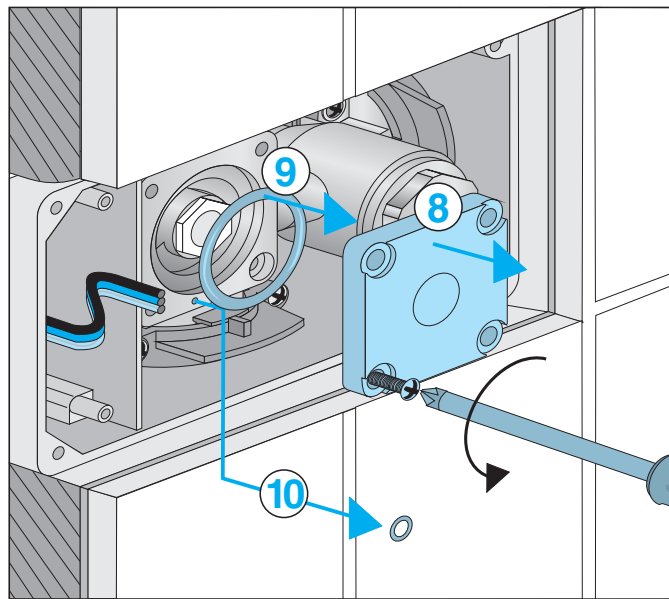
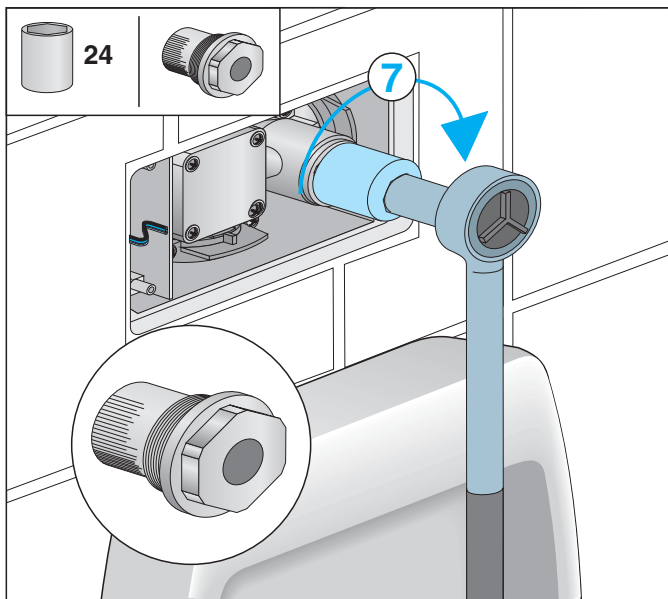
1

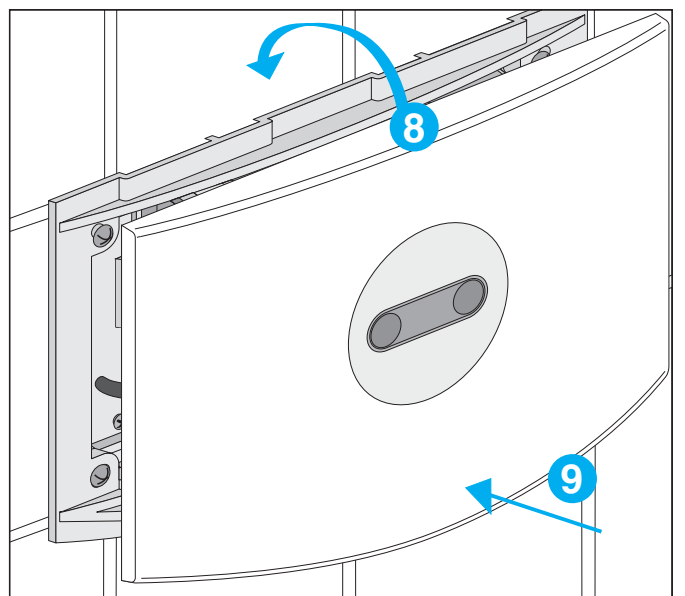
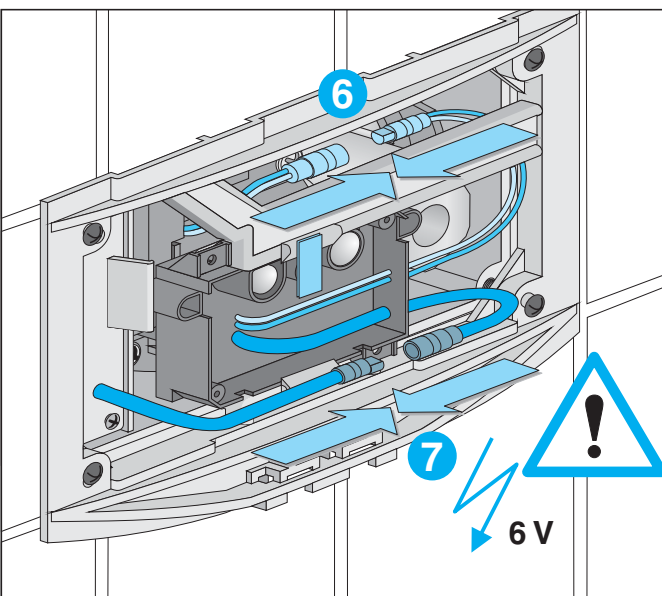
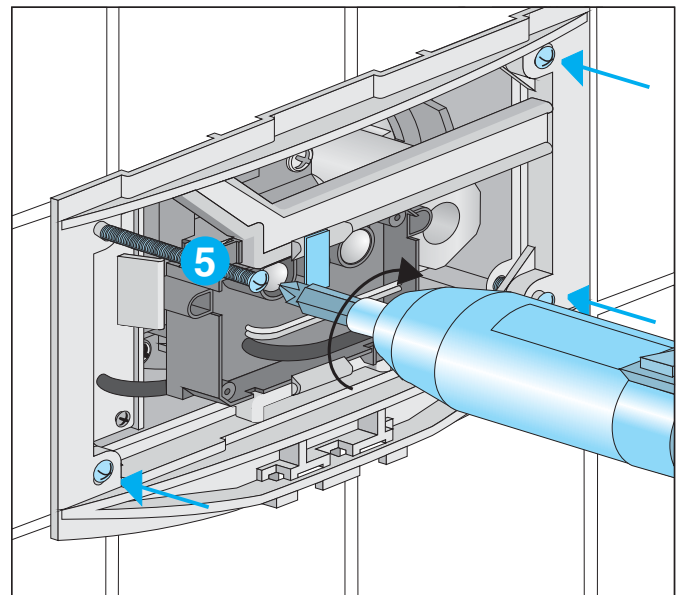
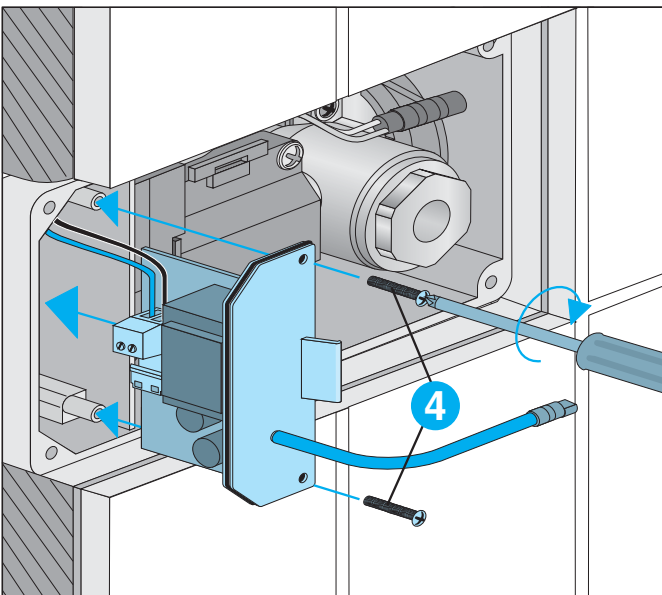
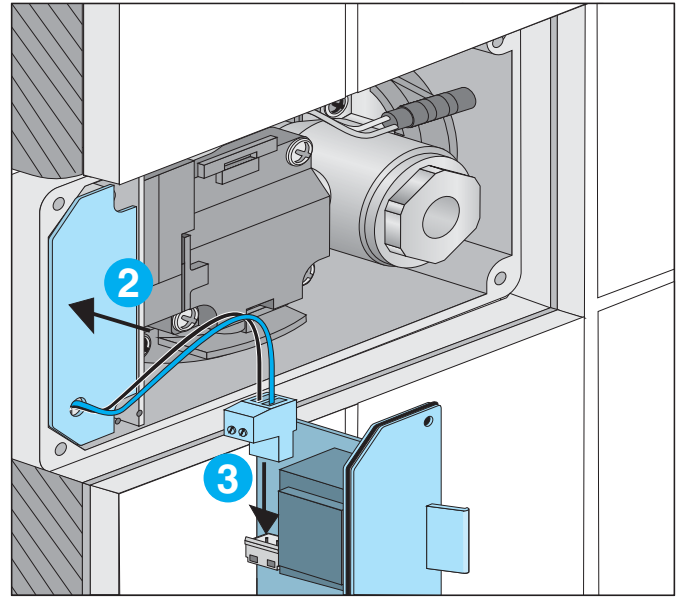
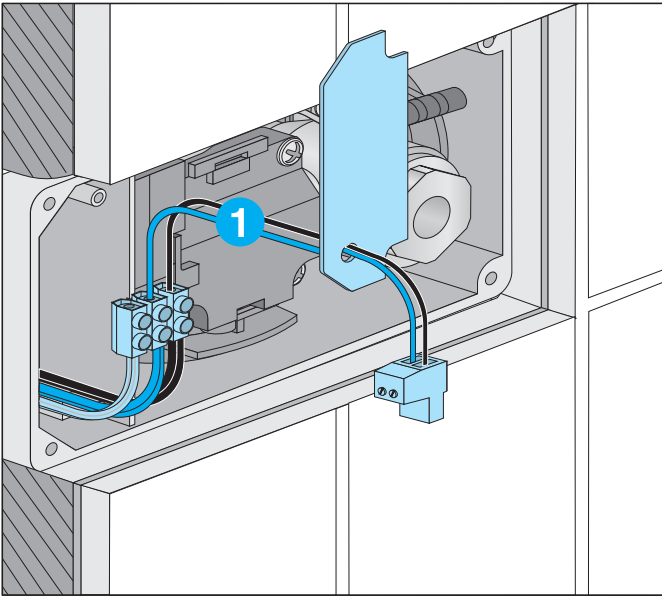


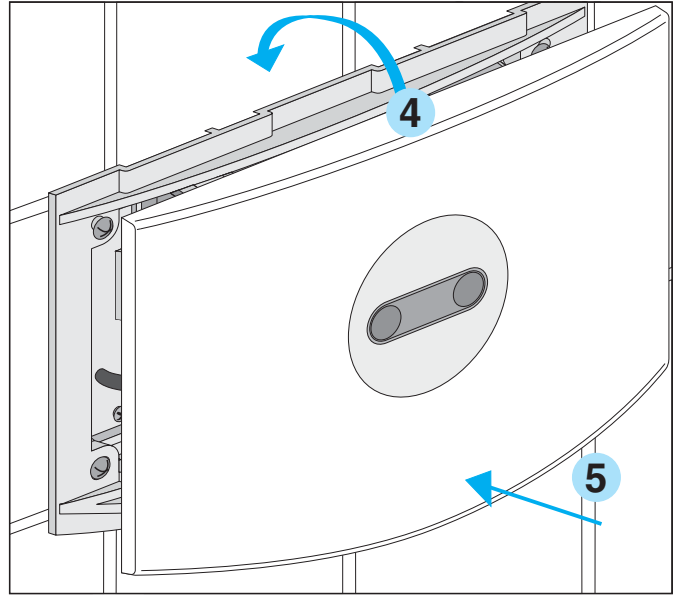
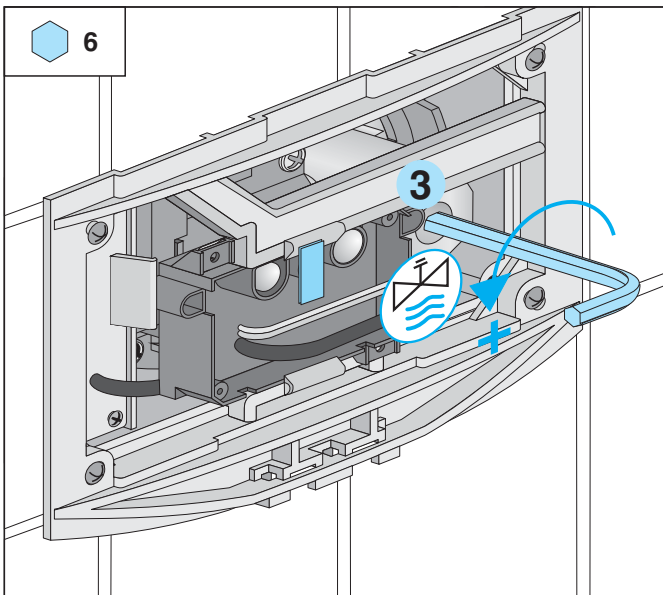
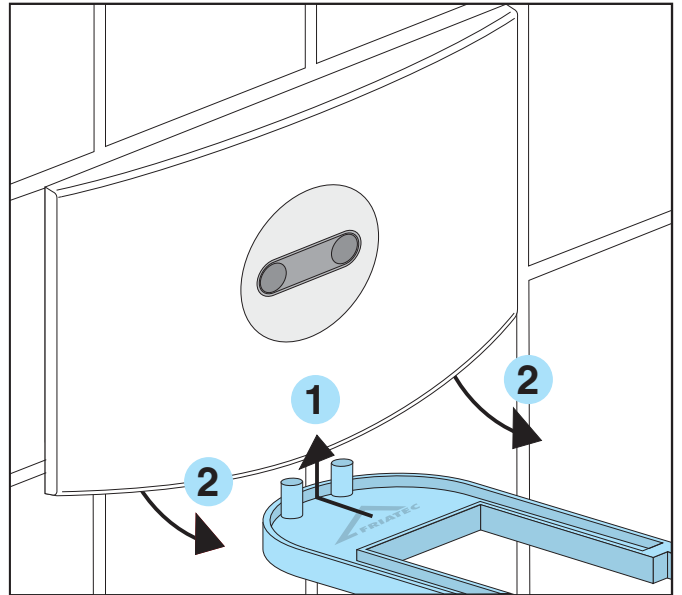
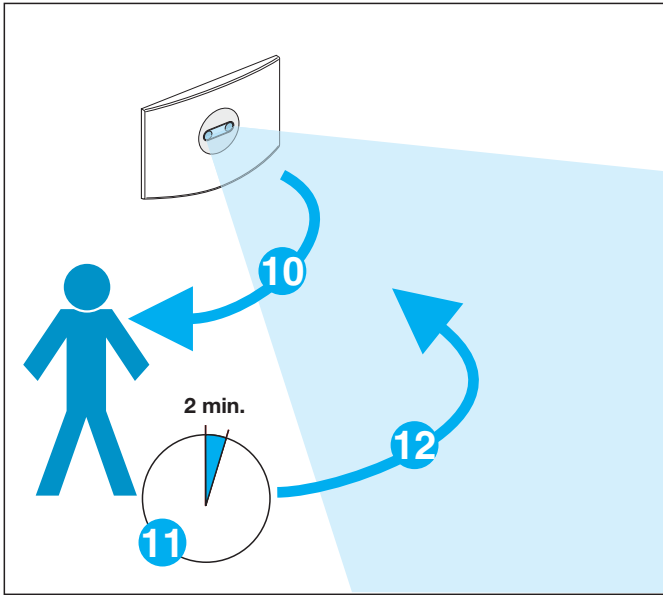
IX/09 • 310562.00



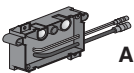




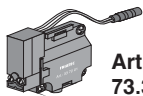




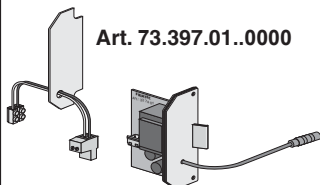
Service



Art. 73.373.01..0000



Art. 73.372.01..0000



Art. 73.397.01..0000

Art. 73.374.01..0000

Art. 73.371.01..0000

