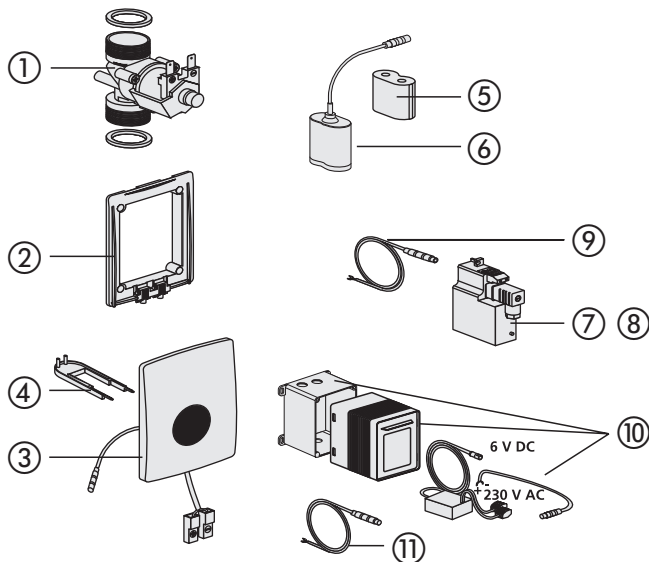


**DISCONTINUED PRODUCT – Infrared urinal technology with cover plate**  
**(Code no. 16.060.-16.063.00..0000) (from 2006 to 2008)**



No.	Name	Code No.
1	Solenoid valve 6V DC	03.108.00..0000
2	Mounting frame	03.369.00..0000
3	Urinal infrared cover plate 6V DC, plastic, white-alpin	03.980.00..0000
4	Removal tool for urinal cover plate	02.992.00..0000
5	Lithium battery 6V DC, CR P 2	02.993.00..0000
6	Battery holder for battery CR P 2	03.109.00..0000
7	Power supply 24V AC/6V DC	03.113.00..0000
8	Power supply 230V AC/6V DC, for single installation	03.112.00..0000
9	Connection cable 600 mm with special plug	03.111.00..0000
10	Concealed power supply unit 230V AC/6V DC, for single and series installations	01.254.00..0000