

Concealed cistern designations



CC-121-S-FO-2V-2C

Concealed Cistern	Installation	Button size	Operation	Flushing	Type flush valve
	121 mm	Small	Front Operated	2V-dual flush	2Cable-Kabel
90.733.00..S003					WC element INEO PLUS without wall brackets
90.733.00..S004					WC element INEO PLUS with wall brackets
90.725.00..T000					WC element INEO PLUS, height 1120/450, without wall bracket
90.724.00..T000					WC element INEO PLUS, height 1120/450, free standing
90.744.00..0000					WC package INEO PLUS 450, height 1120
90.726.00..T000					WC element INEO PLUS for disabled people
90.732.00..T000					WC element INEO PLUS for high-level toilet
95.720.00..0000					Concealed cistern INEO
95.721.00..0000					Concealed toilet module INEO IN, without brackets
95.771.00..0000					WC package INEO IN
95.722.00..0000					Concealed cistern INEO for high-level toilet

Spare parts breakdown see page 148



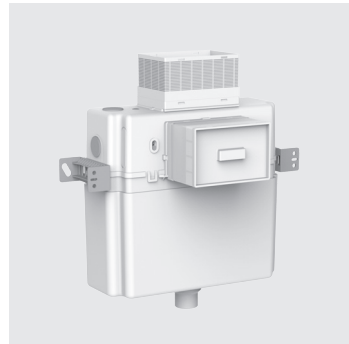
CC-121-S-UO-2V-2C

Concealed Cistern	Installation	Button size	Operation	Flushing	Type flush valve
	121 mm	Small	Uni Operated	2V-dual flush	2Cable-Kabel
90.730.00..0005					Sanitary module INEO SOLO, for wall-hung WCs, white/white
90.730.00..0006					Sanitary module INEO SOLO, for wall-hung WCs, white/black
90.730.00..0007					Sanitary module INEO SOLO, for wall-hung WCs, black/white
90.730.00..0008					Sanitary module INEO SOLO, for wall-hung WCs, black/black
90.731.00..0005					Sanitary module INEO SOLO, for floor-standing WCs, white/white
90.731.00..0006					Sanitary module INEO SOLO, for floor-standing WCs, white/black
90.731.00..0007					Sanitary module INEO SOLO, for floor-standing WCs, black/white
90.731.00..0008					Sanitary module INEO SOLO, for floor-standing WCs, black/black

Spare parts breakdown see page 149



CC-150-S-UO-2V-2C					
Concealed Cistern	Installation	Button size	Operation	Flushing	Type flush valve
	150 mm	Small	Uni Operated	2V-dual flush	2Cable-Kabel
90.702.00..T000	WC element 995 N, height 985, without wall bracket				
90.703.00..T000	WC element 995 N, height 820, without wall bracket				
95.702.00..0000	Concealed toilet module 982 N				
95.703.00..0000	Concealed cistern 983 N				
Spare parts breakdown see page 150					



CC-150-S-FO-2V-2C					
Concealed Cistern	Installation	Button size	Operation	Flushing	Type flush valve
	150 mm	Small	Front Operated	2V-dual flush	2Cable-Kabel
90.706.00..T000	WC element 995 N, height 1185, for floor-standing WCs				
90.651.00..T000	Special element 995 for laundry sink (Bernina), height 1440				
90.659.00..T000	Excrement sink element (Espital), height 1500				
95.709.00..0000	Concealed toilet module 980 N				
Spare parts breakdown see page 150					



CC-120-S-FO-2V-2C					
Concealed Cistern	Installation	Button size	Operation	Flushing	Type flush valve
	120 mm	Small	Front Operated	2V-dual flush	2Cable-Kabel
98.704.00..0000	WC block element 988 C				
Spare parts breakdown see page 151					



Concealed cistern designations



CC-200-S-FO-2V-2C

Concealed Cistern	Installation	Button size	Operation	Flushing	Type flush valve
	200 mm	Small	Front Operated	2V-dual flush	2Cable-Kabel

90.699.00..0000 WC corner element 995 SC, height 1120

Spare parts breakdown see page 152



CC-80-S-FO-2V-2C

Concealed Cistern	Installation	Button size	Operation	Flushing	Type flush valve
	80 mm	Small	Front Operated	2V-dual flush	2Cable-Kabel

90.803.00..0000 WC element INEO 8 cm, height 1185

95.803.00..0000 Concealed cistern INEO 80

95.804.00..0000 Concealed toilet module INEO IN 80

Spare parts breakdown see page 153

Marking series-production status CC INEO

Code and series-production status are marked in the concealed cistern as follows.

CC121-S-FO-2V-2C	← Code
Ser. - Nr.: 3 2. 13. 15 13:11	← Series-production status / day of the week-calender week-year/time
00000 / 00000 PB.086.84..0000	← Employee code/employee code, internal SANIT code no.
MADE IN GERMANY	