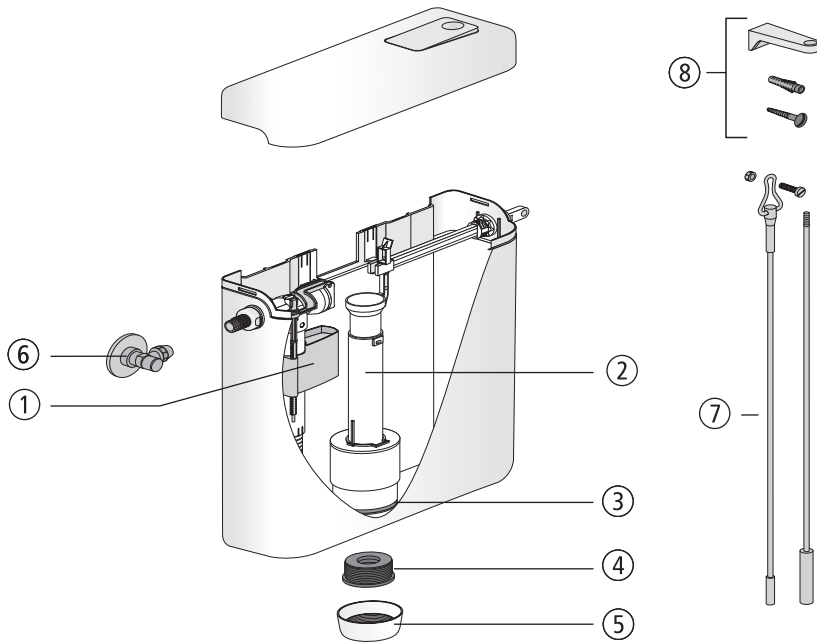


**DISCONTINUED PRODUCT – Cistern 937/4S**  
**(from 1994 to 2013)**



No.	Name	Code No.	Recommended price/€
1	Universal fill valve 510, G 3/8 x 20 mm	25.003.00..0000	
2	Flush valve	03.150.00..0000	
3	Seal d: 31 x d: 63 x 2,8	02.754.00..0000	
4	Rubber sleeve	02.622.00..0000	
5	Cap nut G 2, alpine white	02.087.01..0000	
6	Angle valve G 1/2	01.269.00..0000	
7	Actuator set	02.410.00..0000	
8	Guide piece	03.658.00..0000	