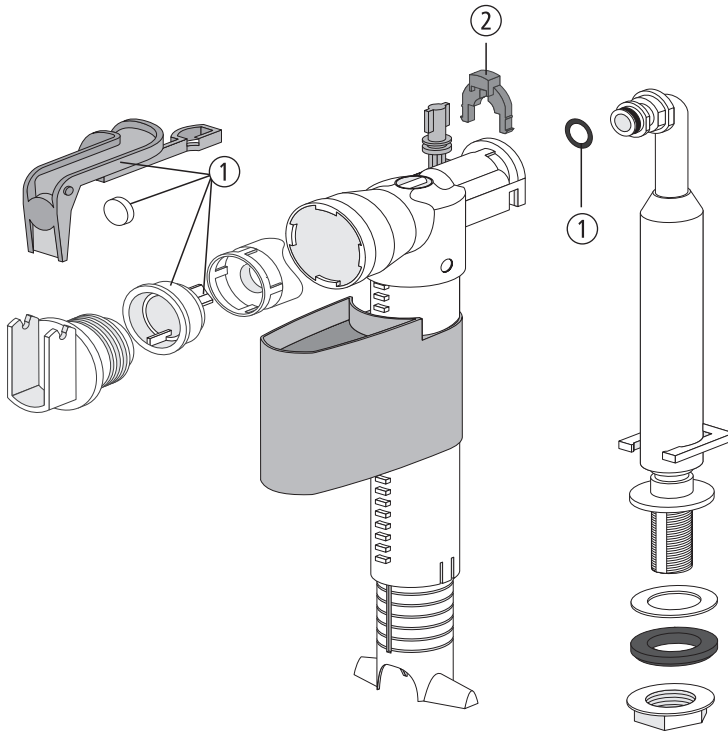


Universal fill valve 510 U

No.	Name	Code No.	Recommended price/€
1	Set of seals	03.345.00..0000	
2	Clip	04.004.00..0000	