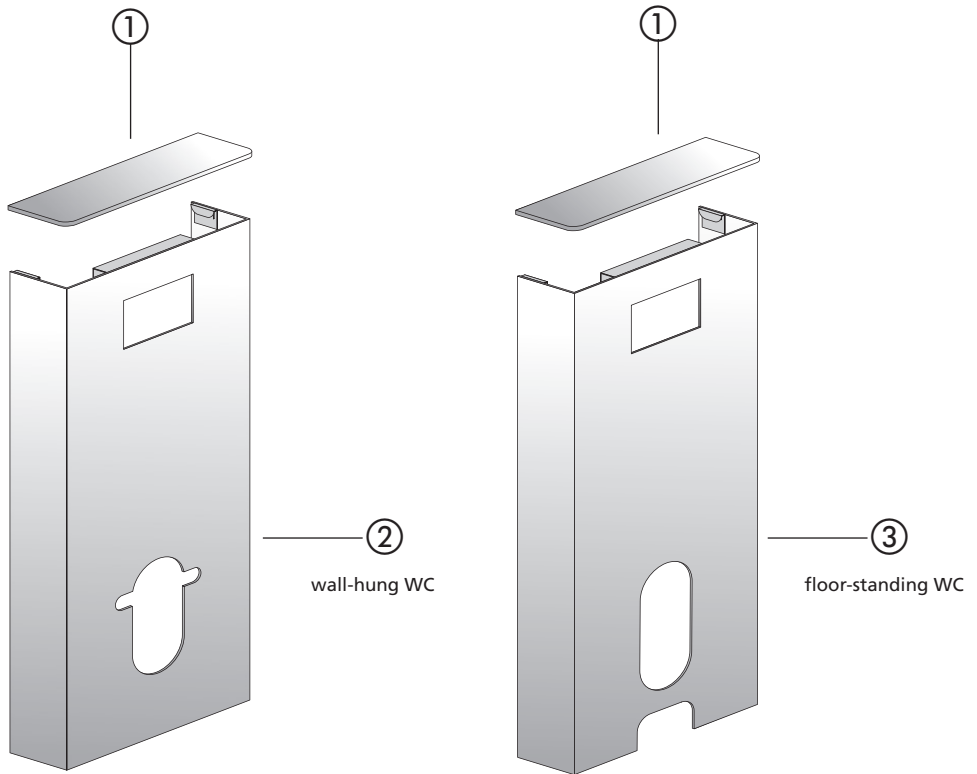


Cladding for INEO SOLO, CC-121-S-UO-2V-2C, with small access opening



No.	Name	Code No.	Recommended price/€
1	Cover of glass white black	04.202.00..0002	
		04.202.00..0001	
2	Cladding made of high quality composite material white black	04.208.00..0003	
		04.208.00..0004	
3	Cladding made of high quality composite material white black	04.209.00..0003	
		04.209.00..0004	