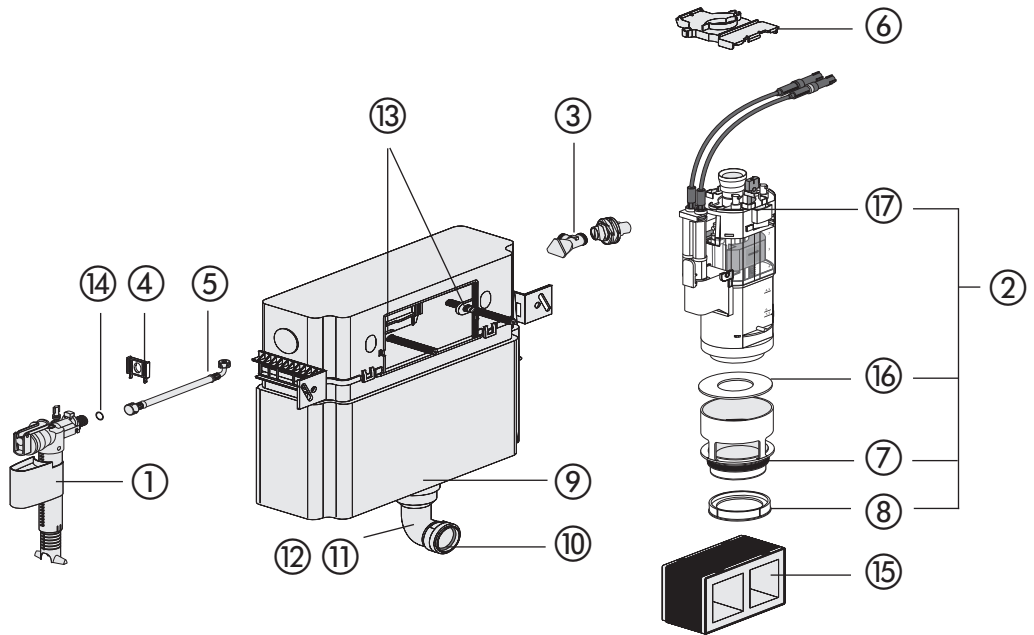


Concealed cistern 983N, CC-150-S-UO(FO)-2V-2C, with small access opening



No.	Name	Code No.	Recommended price/€
1	Universal fill valve 510, G 3/8 x 20 mm	25.003.00..0000	
2	Universal flush valve INEO	03.982.00..0000	
3	Angle valve G 1/2	02.425.00..0000	
4	Fill valve support	02.759.00..0000	
5	Flexible hose with seals	03.294.00..0000	
6	Positioning device	02.749.00..0000	
7	O-Ring Ø 55 x 5	02.436.00..0000	
8	Flush flow reducer	02.758.00..0000	
9	O-Ring Ø 49 x 6	02.753.00..0000	
10	Lip seal Ø 45	02.461.00..0000	
11	Flush pipe with O-Ring (height 985)	01.234.00..0000	
12	Flush pipe with O-Ring (height 820)	01.236.00..0000	
13	Toggle	02.972.00..0000	
14	O-Ring Ø 8 x 1,5 for flexible hose	04.024.00..0000	
15	Protection box with EPS-core	16.031.00..0000	
16	Sealing ring Ø 31 x Ø 63 x 2,8	02.754.00..0000	
17	Cable box	05.019.00..0000	
18 *	Start/stop set	03.999.00..0000	