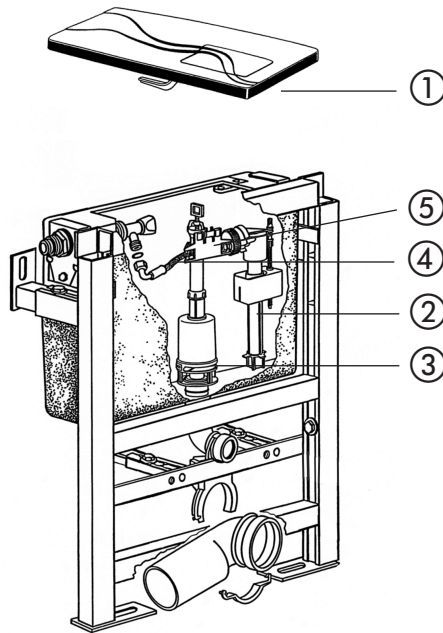


**DISCONTINUED PRODUCT – Concealed cistern, push plate top operated  
(from 1995 to 2004)**



No.	Name	Code No.
1	Push plate, white-alpin	16.005.01..0000
2	Universal Füllventil 510, G 3/8 x 20 mm	25.003.00..0000
3	Flush valve	01.790.00..0000
4	Flexible connection hose with seals G 3/8	01.094.00..0000
5	Fill valve support	02.669.00..0000