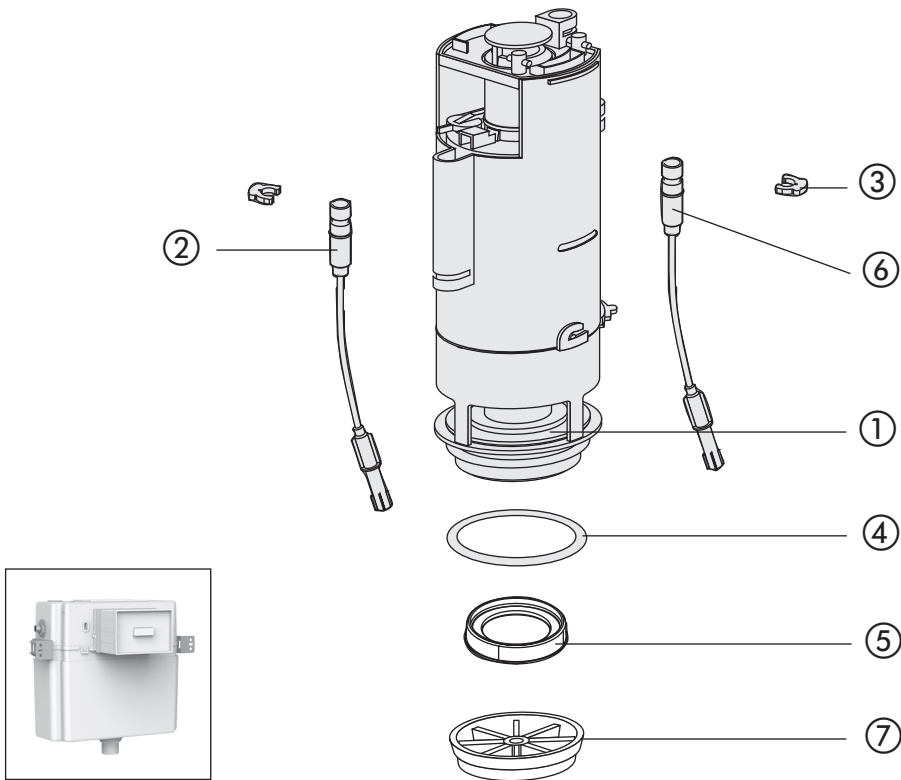


DISCONTINUED PRODUCT – Flush valve for concealed cisterns CC-150-S-FO-2V-2C with small access opening (Code No. 01.220.00..0000) (from 2002 to 2014)



No.	Name	Code No.	Recommended price/€
1	Sealing ring Ø 31 x Ø 63 x 2,8	02.754.00..0000	
2	Cable, 560 mm lang, black	02.755.00..0000	
3	Clamps	02.756.00..0000	
4	O-Ring Ø 55 x 5	02.436.00..0000	
5	Flush flow reducer (height 1185) for concealed systems	02.758.00..0000	
6	Cable, 500 mm lang, red	02.769.00..0000	
7	Flush flow reducer for exposed and concealed cisterns	04.174.00..0000	
8 *	2 cables 1 m, black with clips	03.037.00..0000	
9 *	Cable, 700 mm long, black	02.025.00..0000	