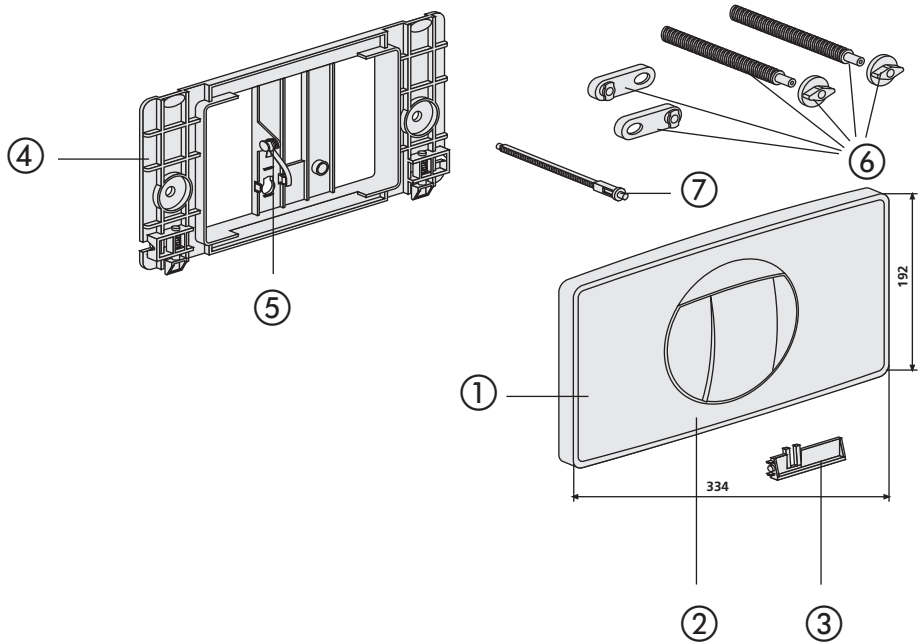


DISCONTINUED PRODUCT – Push plate L for start/stop flush

(Code No. 16.021.01..0000) (from 1994 to 2010)



No.	Name	Code No.	Recommended price/€
1	Push plate, white-alpin	16.021.01..0000	
2	Push button with frame, white-alpin	03.124.01..0000	
3	Bridge	02.999.00..0000	
4	Support bracket	03.125.00..0000	
5	Flat spring	02.740.00..0000	
6	Fastening set	01.020.00..0000	
7	Actuating bolts	02.396.00..0000	