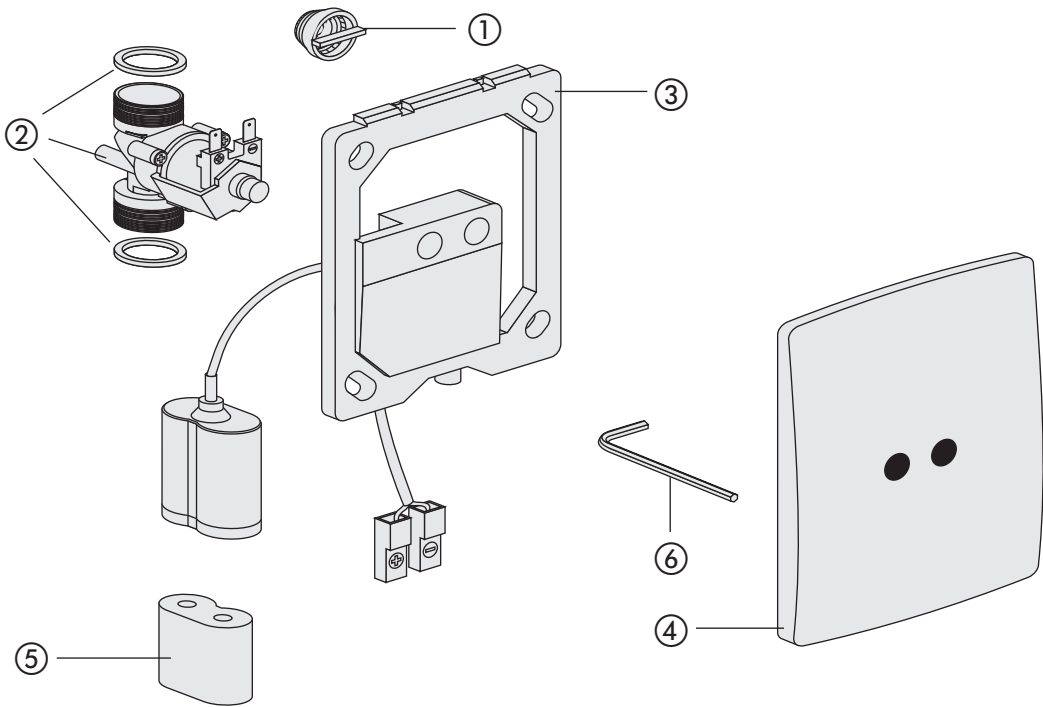


DISCONTINUED PRODUCT – Urinal cover plate for INFRA 6V battery
(Code no. 16.046.00..0000) (from 2002 to 2008)



No.	Name	Code No.
1	Filter	03.051.00..0000
2	Solenoid valve 6V DC G 3/4 AG, BL 61 mm, incl. 2 seals	03.108.00..0000
3	Infrared electronics 6V DC incl. battery holder	03.116.00..0000
4	Stainless steel cover 120 x 150 x 16 mm	03.117.00..0000
5	Lithium battery 6V DC, CR P 2	02.993.00..0000
6	Allen key 2,5 mm	02.995.00..0000