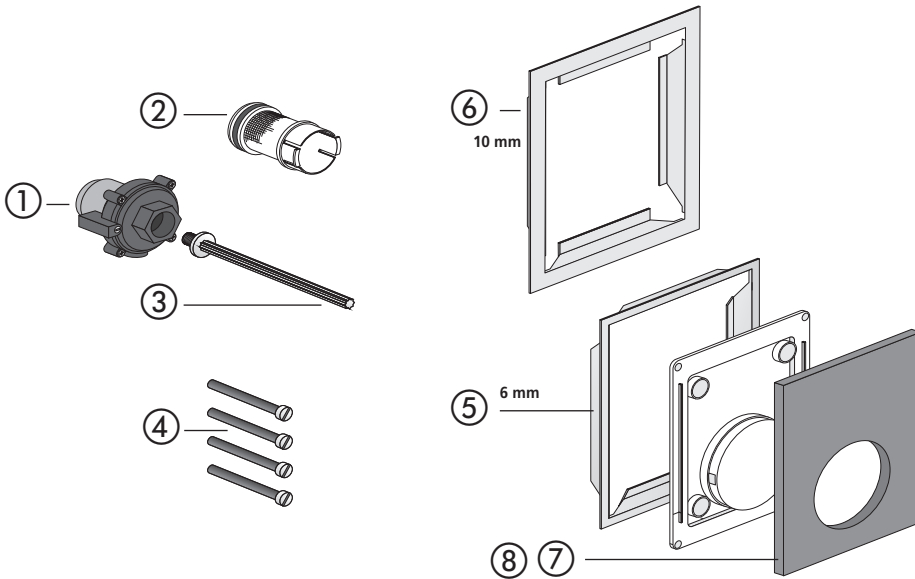


Urinal cover plate, hand-operated, flush mounted



No.	Name	Code No.
1	Pneumatic cartridge valve	03.341.00..0000
2	Filter for cartridge valve technology	03.343.00..0000
3	Pressure pin for urinal technology	04.012.00..0000
4	Fastening screws M5 x 70 (4 pcs.)	03.107.00..0000
5	Urinal blind frame 6 mm, stainless steel polished	04.084.00..0000
6	Urinal retrofit blind frame 10 mm, stainless steel polished (stainless steel white-alpine on request)	04.068.00..0000
7	Cover plate glass white black	05.140.C9..0000 05.140.C8..0000
8	Cover plate plastic white-alpin chrome matt chrome	05.141.01..0000 05.141.81..0000 05.141.93..0000