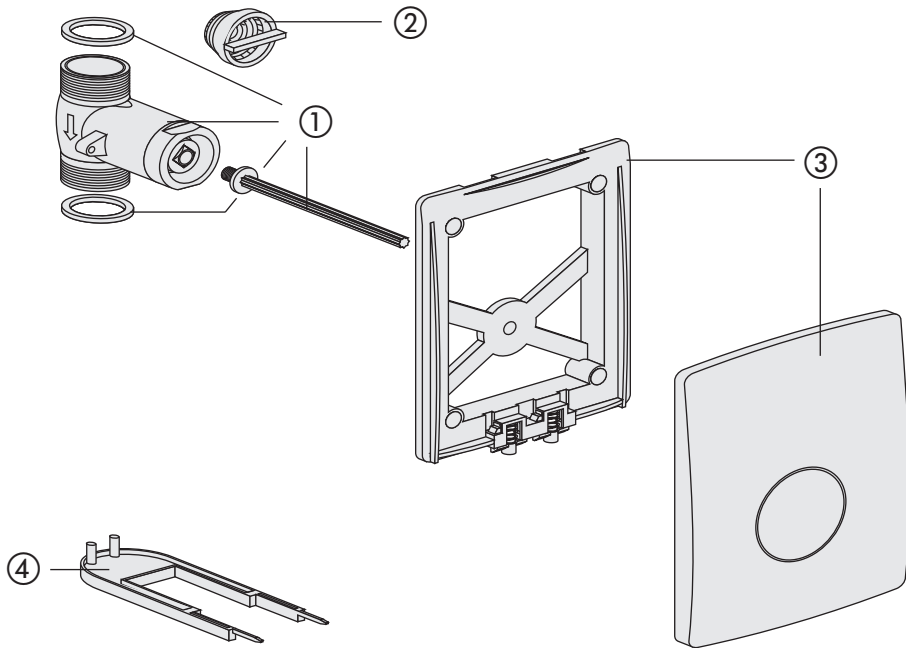


**DISCONTINUED PRODUCT – Urinal cover plate für concealed pressure valve
(APIS 5 SM) (Code No. 16.055.**..0000) (from 2003 to 2008)**



No.	Name	Code No.	Recommended price/€
1	Self closing valve DN 15 with pressure pin and seals	03.105.00..0000	
2	Filter	03.051.00..0000	
3	Cover plate with mounting frame white-alpin chrome/mattchrome mattchrome chrome stainless steel	03.106.01..0000 03.106.28..0000 03.106.93..0000 03.106.81..0000 03.106.00..0000	
4	Removal tool	02.992.00..0000	