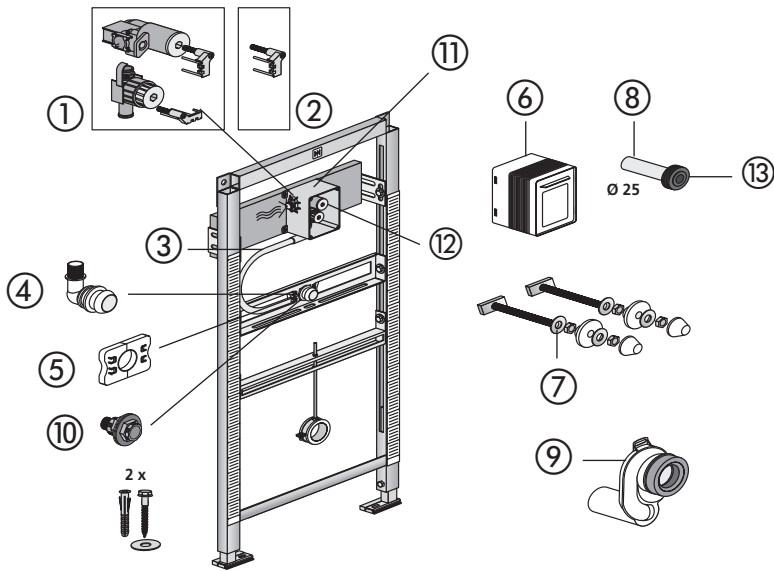


Urinal element INEO (from 2014) (Code No. 90.668.00..T000)



No.	Name	Code No.	Recommended price/€
1	Water duct incl. securing clamp (since 2014)	05.025.00..0000	
2	Securing clamp	05.027.00..0000	
3	Flexible hose 400 mm, DN 13	05.029.00..0000	
4	Urinal bracket	05.030.00..0000	
5	Clamps 2 pieces	04.213.00..0000	
6	Tiling set	05.026.00..0000	
7	Urinal fastening set	03.809.00..0000	
8	Urinal inlet fitting, plastic	05.028.00..0000	
9	Urinal exhaust trap DN 50	31.410.00..0000	
10	Connection set for urinal with spray head	05.013.00..0000	
11	Urinal roughing-in box	03.954.00..0000	
12	Sealing plug for filter cartridge	02.206.00..0000	
13	Urinal flush pipe joint	04.247.00..0000	