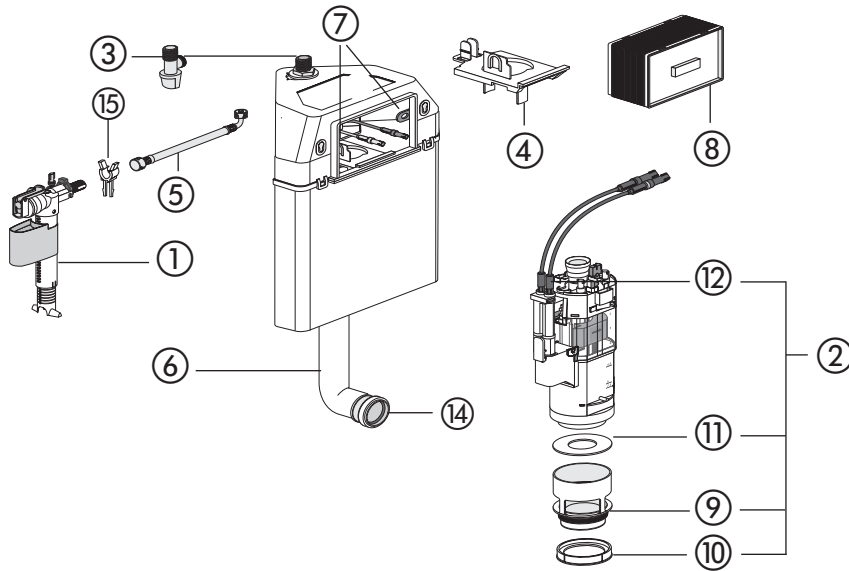


**WC corner element 995 SC, CC-200-S-FO-2V-2C, with small access opening**



No.	Name	Code No.	Recommended price/€
1	Universal fill valve 510, G 3/8 x 20 mm	25.003.00..0000	
2	Universal flush valve INEO	03.982.00..0000	
3	Angle valve G 1/2	02.425.00..0000	
4	Positioning device	04.173.00..0000	
5	Flexible hose with seals	03.294.00..0000	
6	Flush pipe with O-Ring	03.847.00..0000	
7	Toggle	02.972.00..0000	
8	Protection box with cover	16.030.00..0000	
9	O-Ring Ø 55 x 5	02.436.00..0000	
10	Flush flow reducer	02.758.00..0000	
11	Sealing ring Ø 31 x Ø 63 x 2,8	02.754.00..0000	
12	Cable box	05.019.00..0000	
13 *	Start/stop set	03.999.00..0000	
14	Lip seal Ø 45	02.461.00..0000	
15	Fill valve support	02.971.00..0000	

\* no illustration