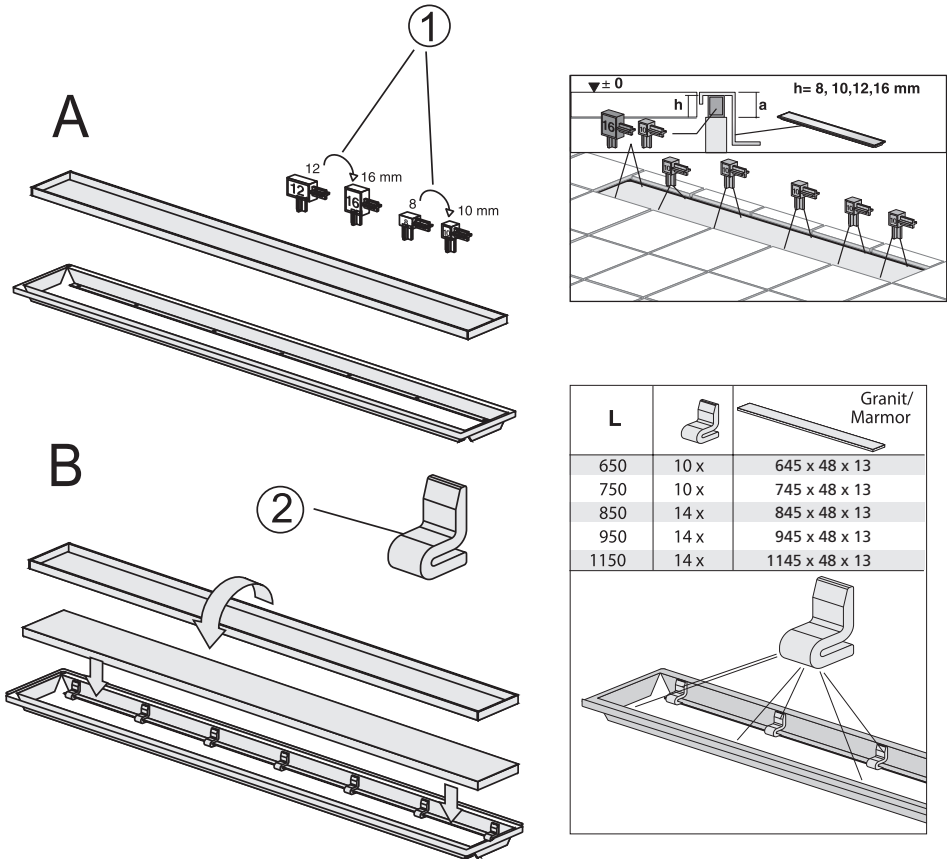


**Finishing set for ready-to-tile grid, plastic channel, width 50 mm**



| No. | Name                            | Code No.        | Recommended price/€ |
|-----|---------------------------------|-----------------|---------------------|
| 1   | Height adjustment (2 x 14 pins) | 03.750.00..0000 |                     |
| 2   | Support piece (14 pcs.)         | 04.123.00..0000 |                     |
|     |                                 |                 |                     |