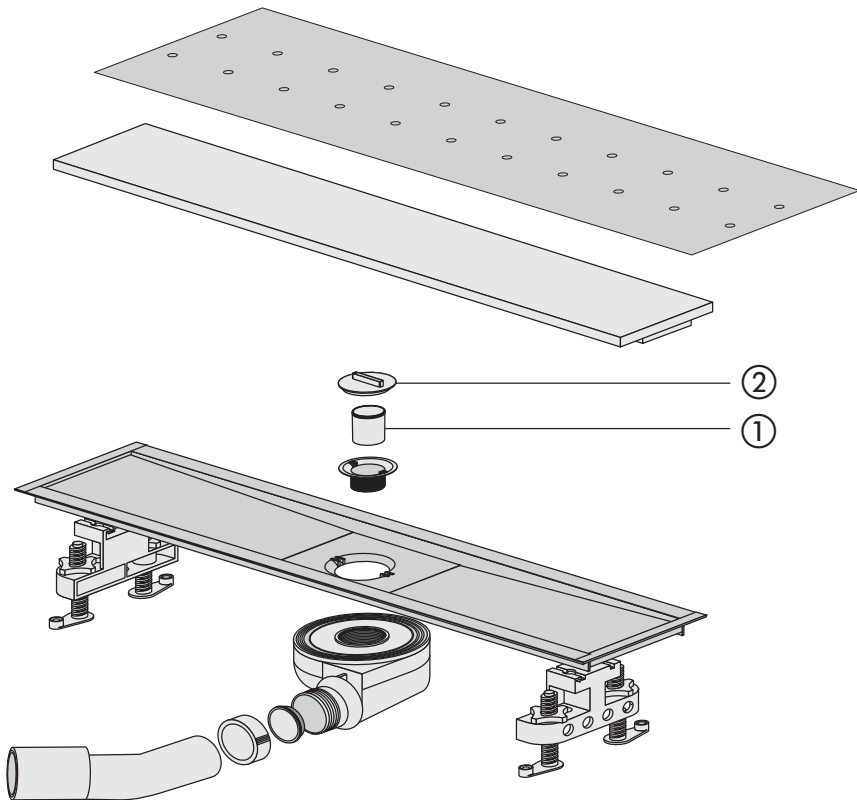


DISCONTINUED PRODUCT – Shower channel for mortar installation, stainless steel, width 70 mm



No.	Name	Code No.	Recommended price/€
1	Trap insert	03.472.00..0000	
2	Installation wrench protection	04.047.00..0000	