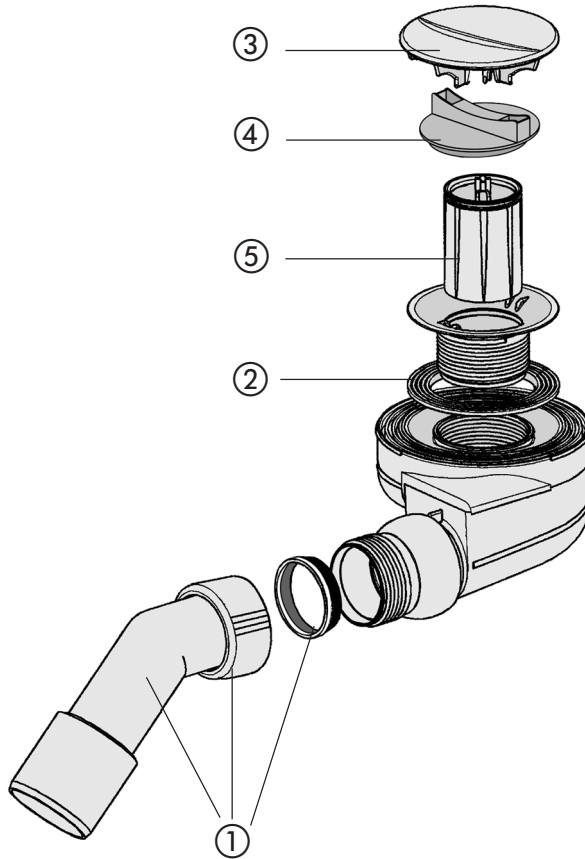


**Shower waste 821/50**

No.	Name	Code No.	Recommended price/€
1	Waste outlet bend with cap nut and 2C conical ring	01.173.00..0000	
2	Lip seal Ø 81,5 x 8,8	02.978.00..0000	
3	Cover plate, chrome	02.567.81..0000	
4	Installation wrench protection	04.047.00..0000	
5	Trap insert	03.472.00..0000	