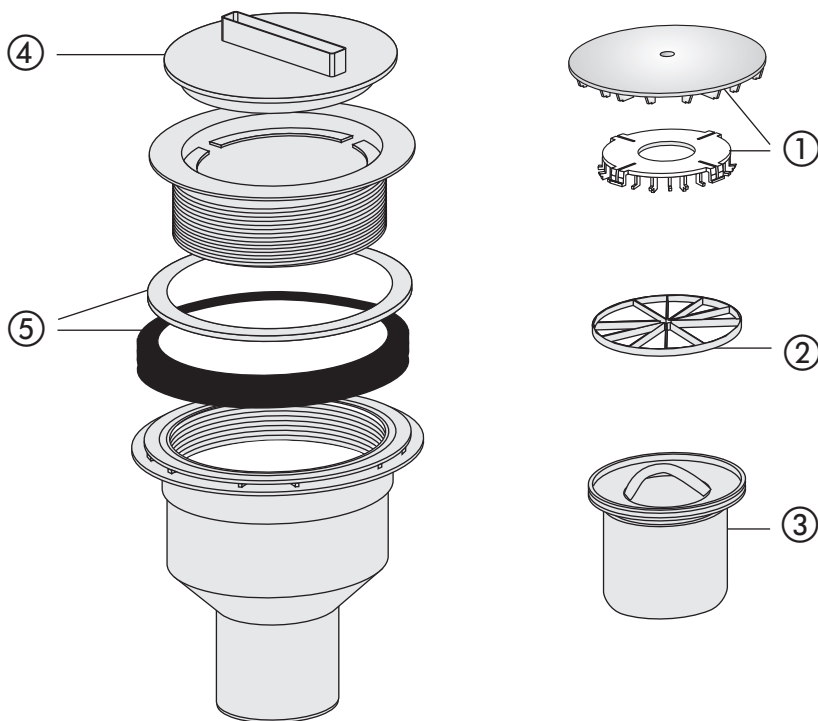


Shower waste 823/905



No.	Name	Code No.	Recommended price/€
1	Cover plate, chrome *	05.165.81..0000	
2	Strainer	04.109.00..0000	
3	Trap insert	03.630.00..0000	
4	Installation wrench protection	04.116.00..0000	
5	Set of seals	03.629.00..0000	