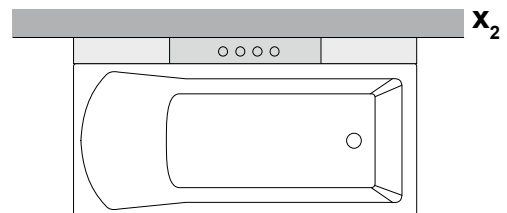
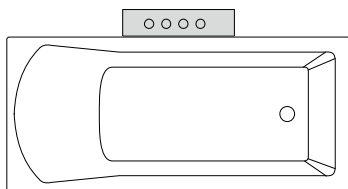
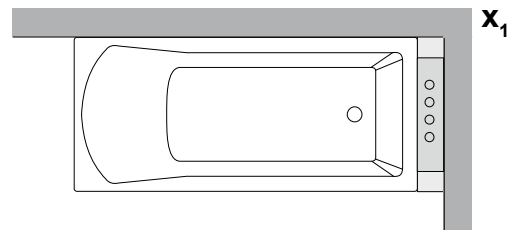
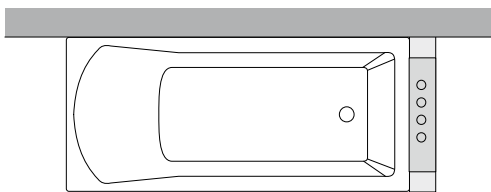
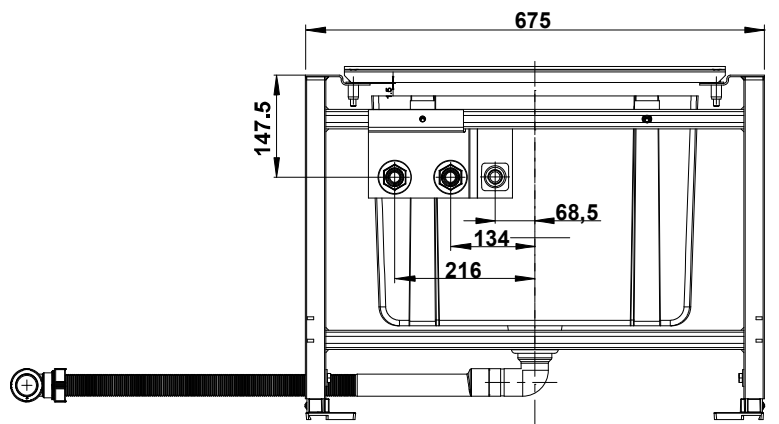
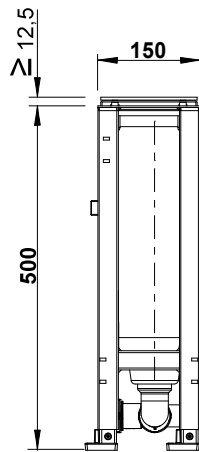
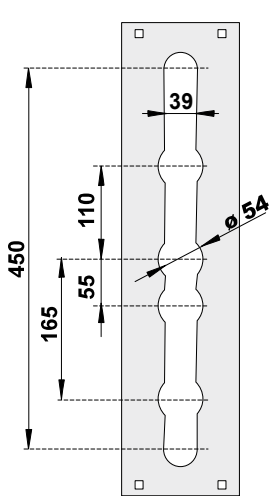
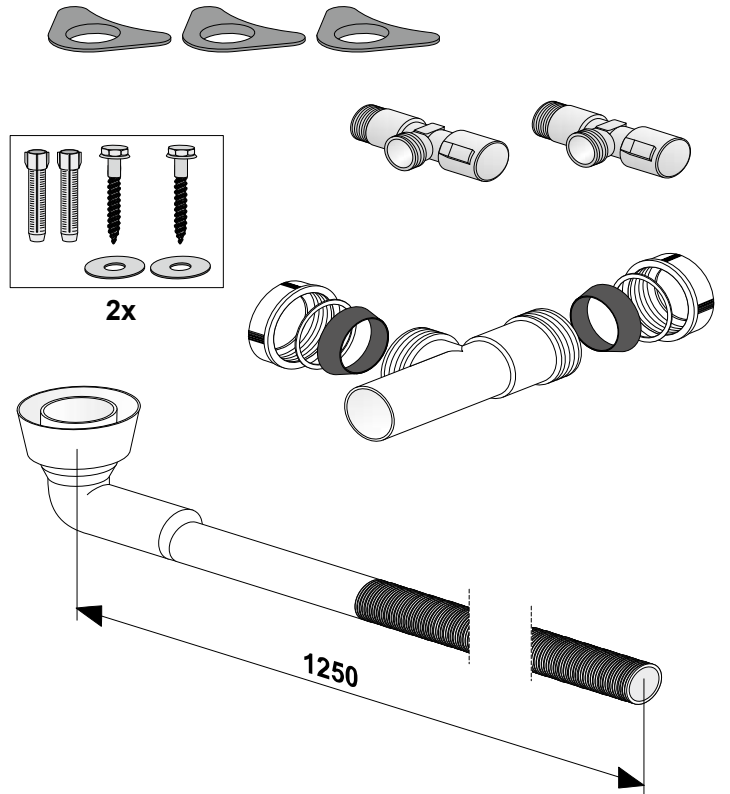
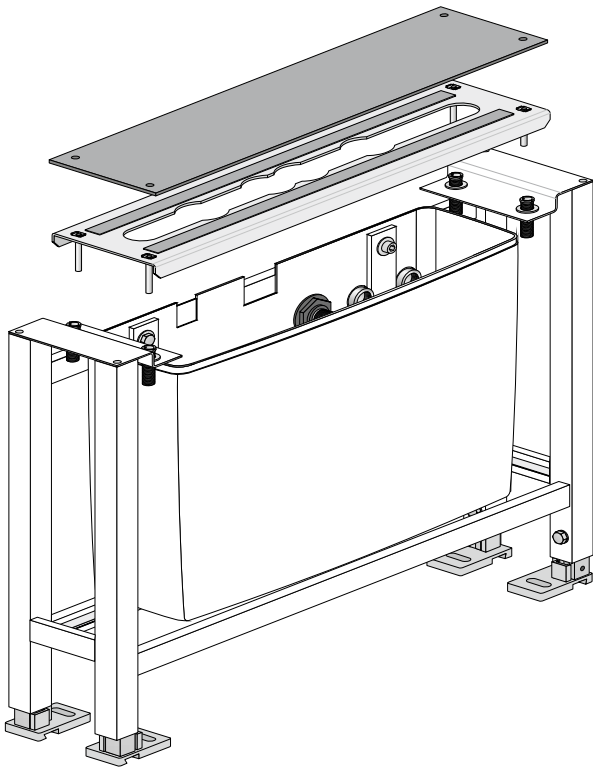
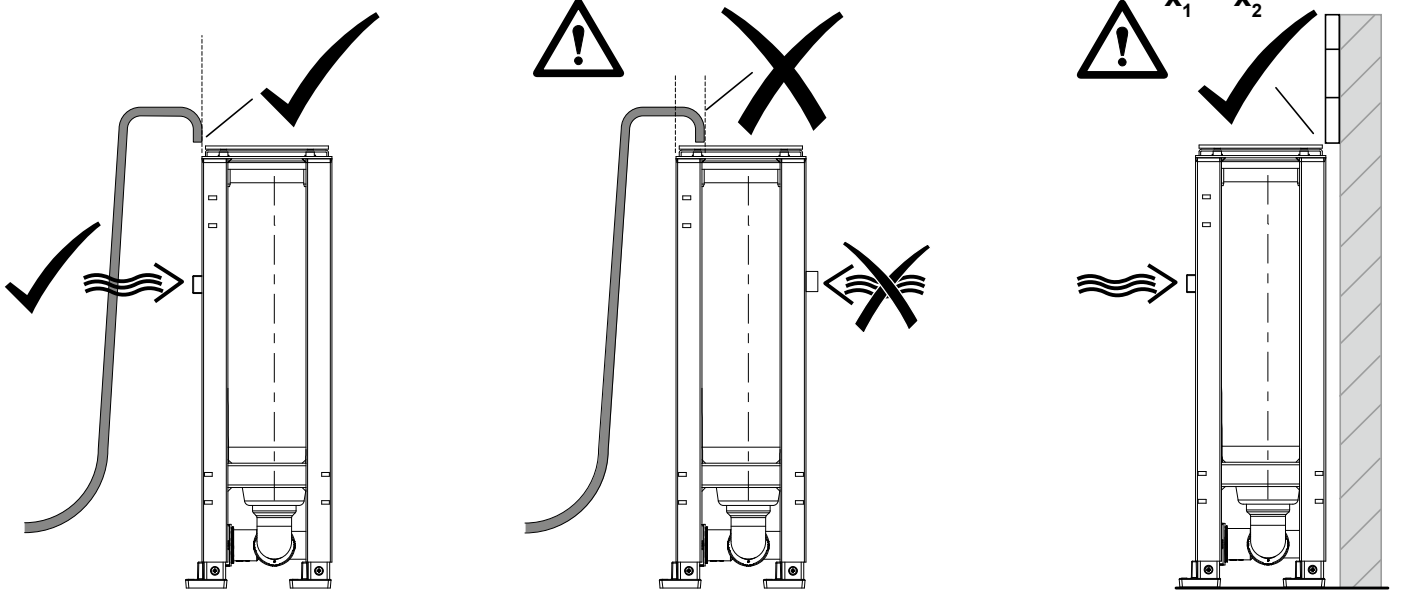


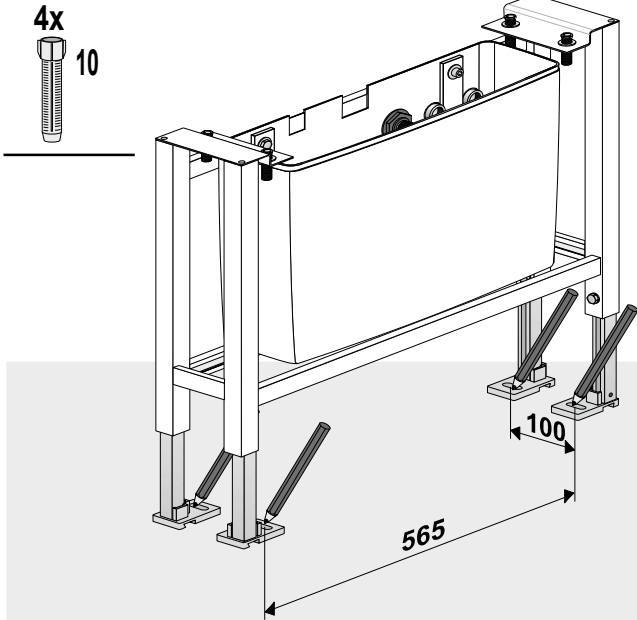
[mm]



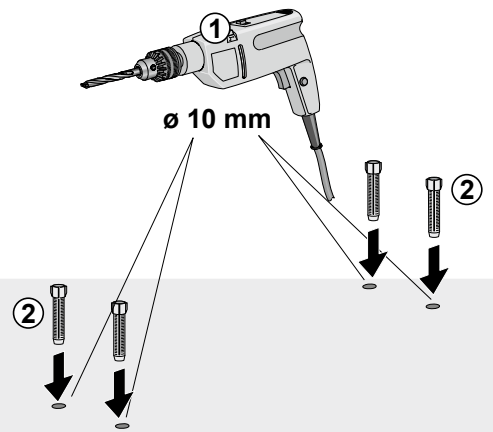
1



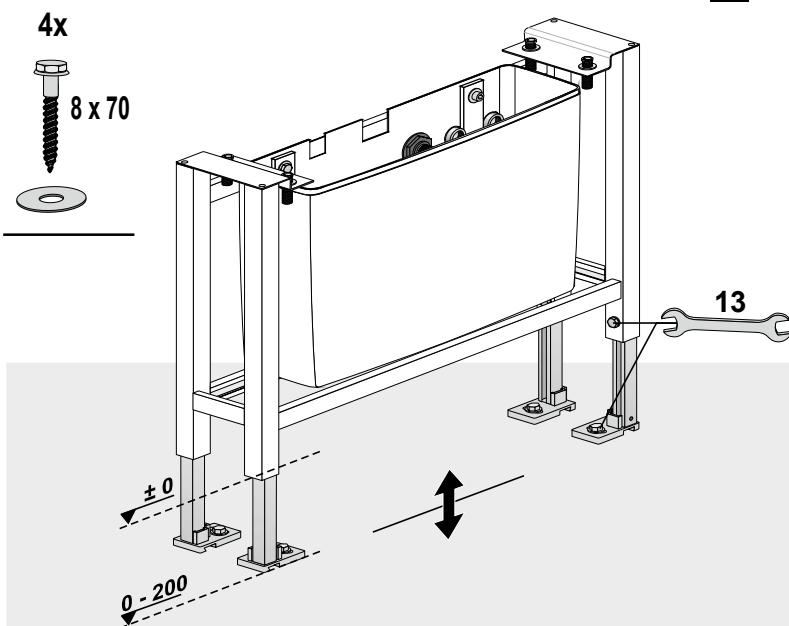
2



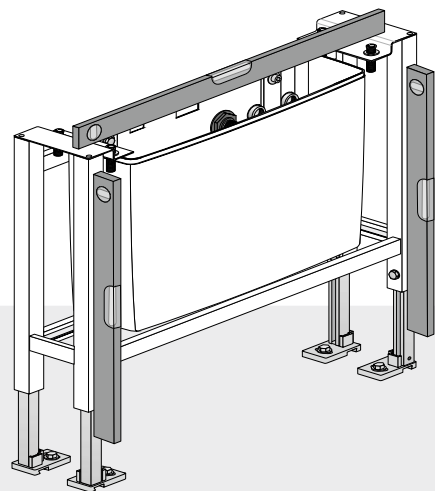
3



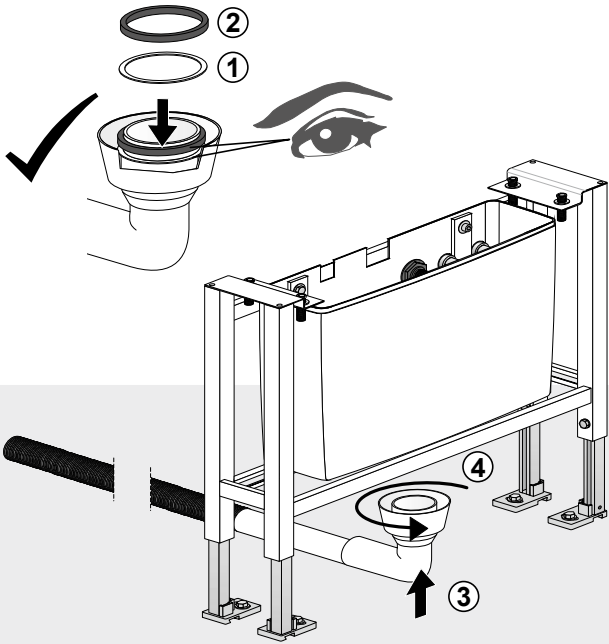
4



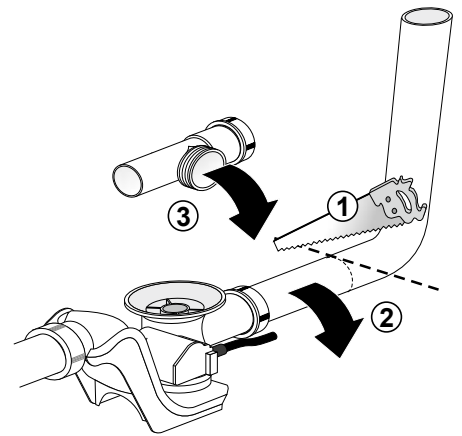
5



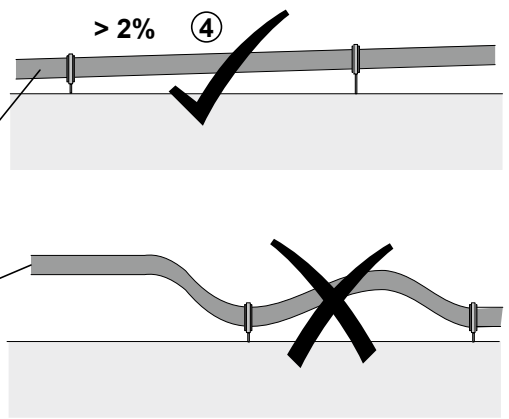
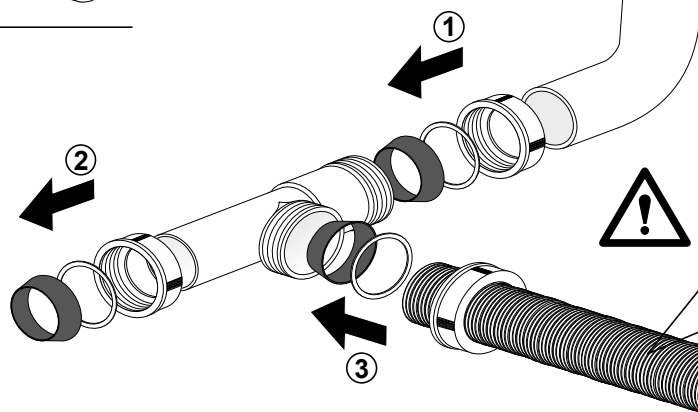
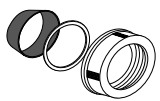
6



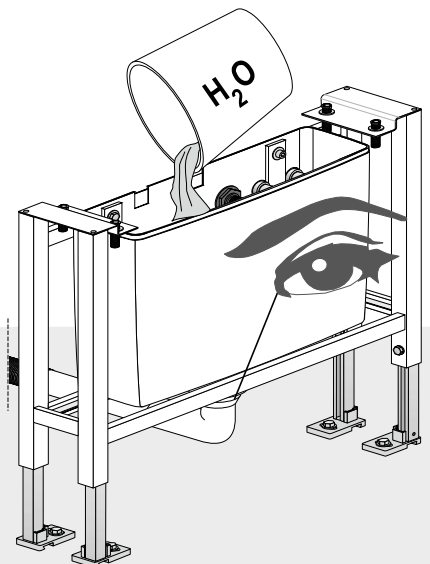
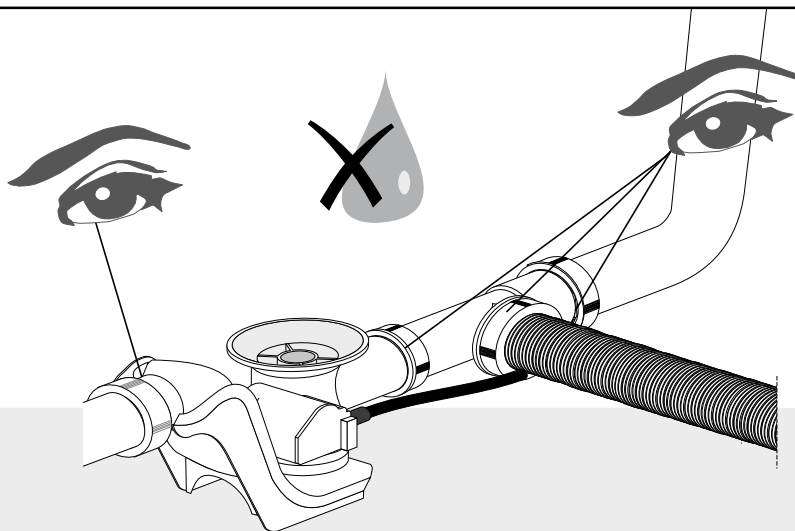
7

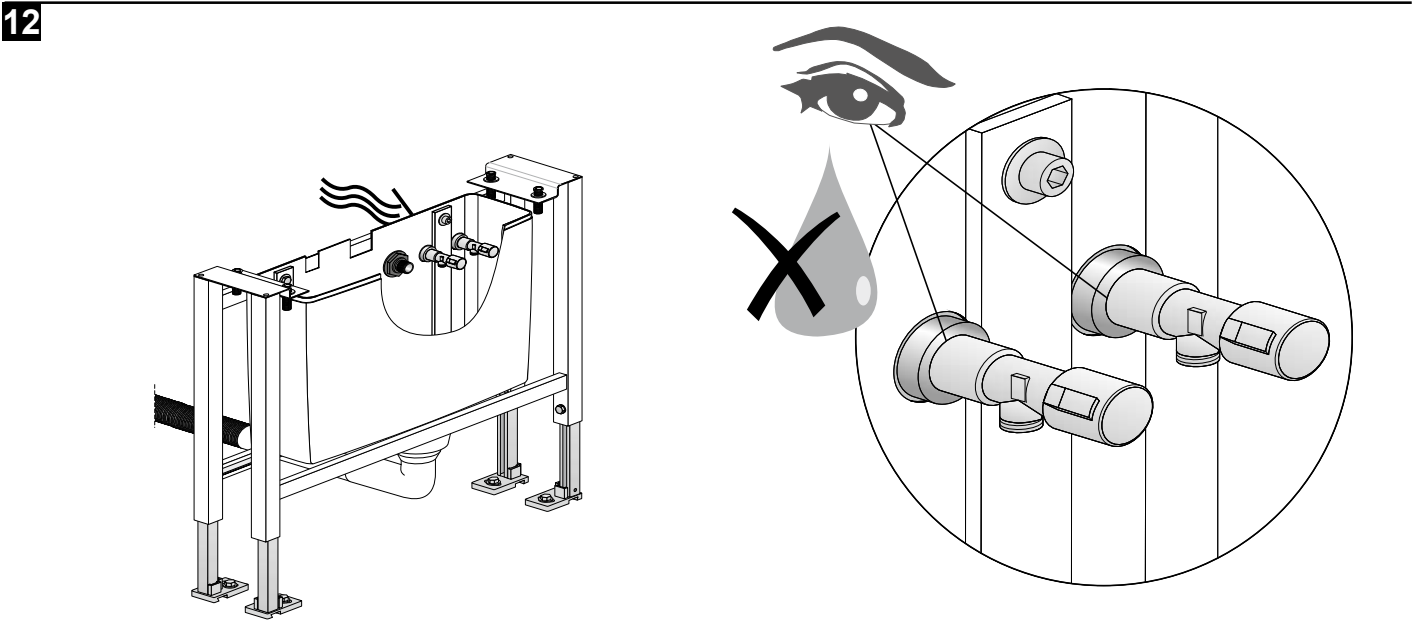
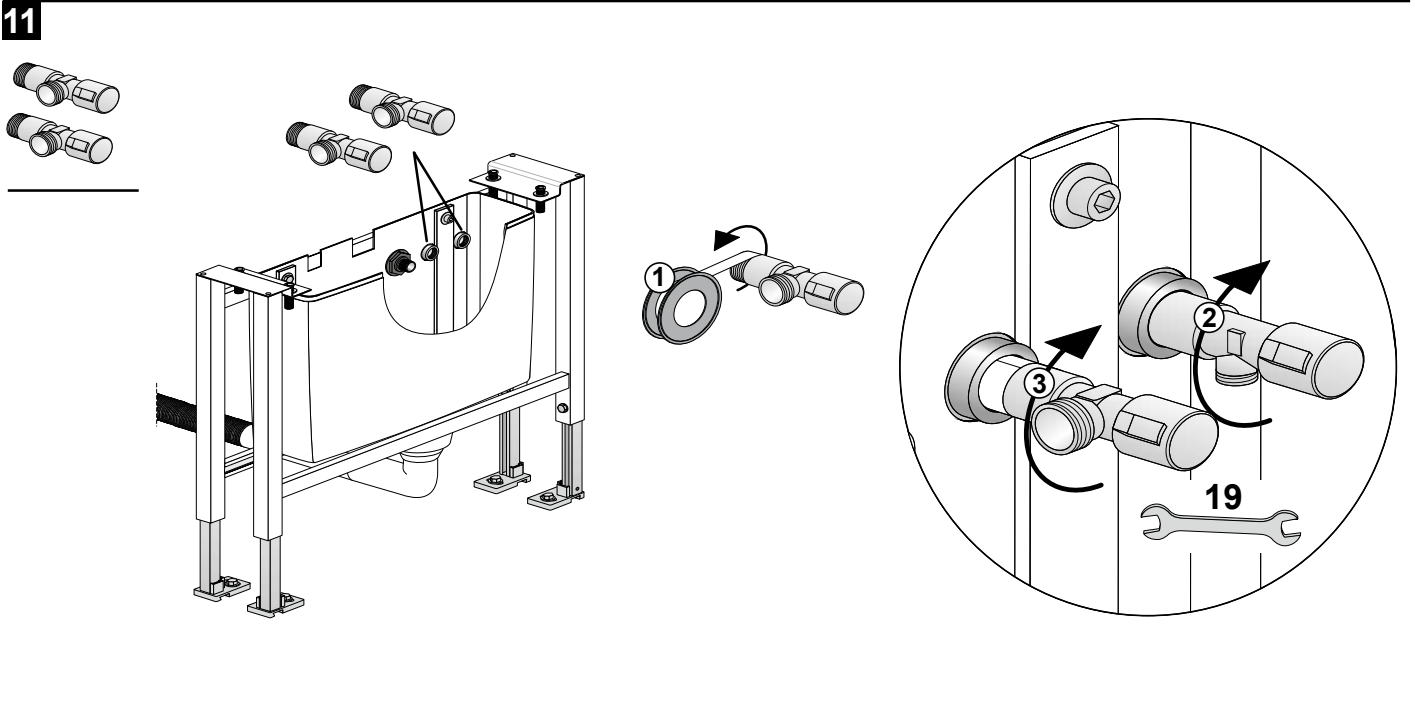
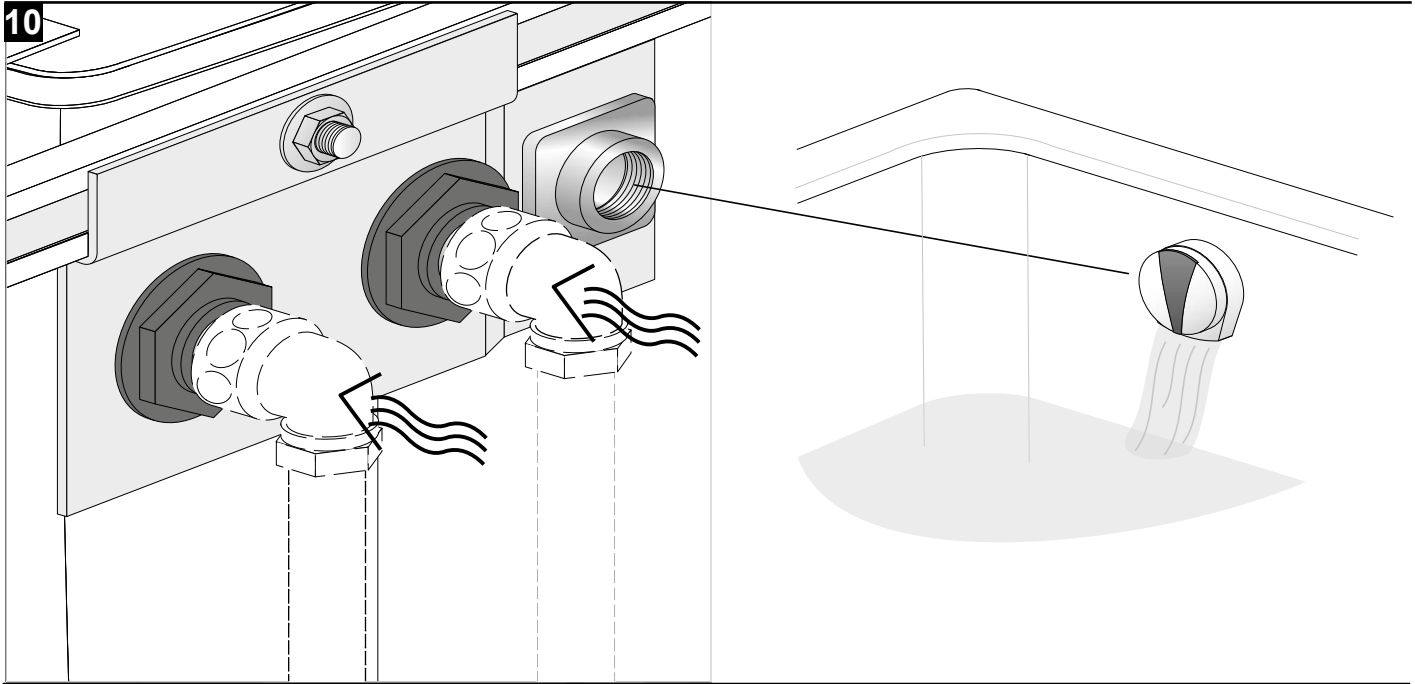


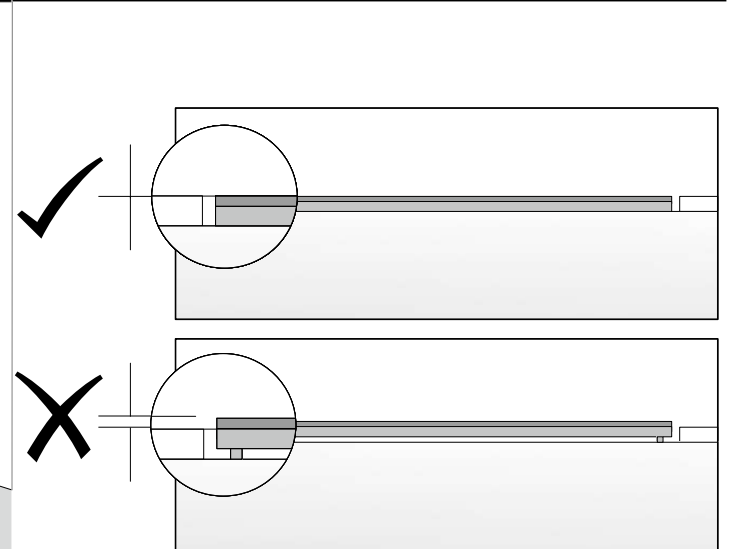
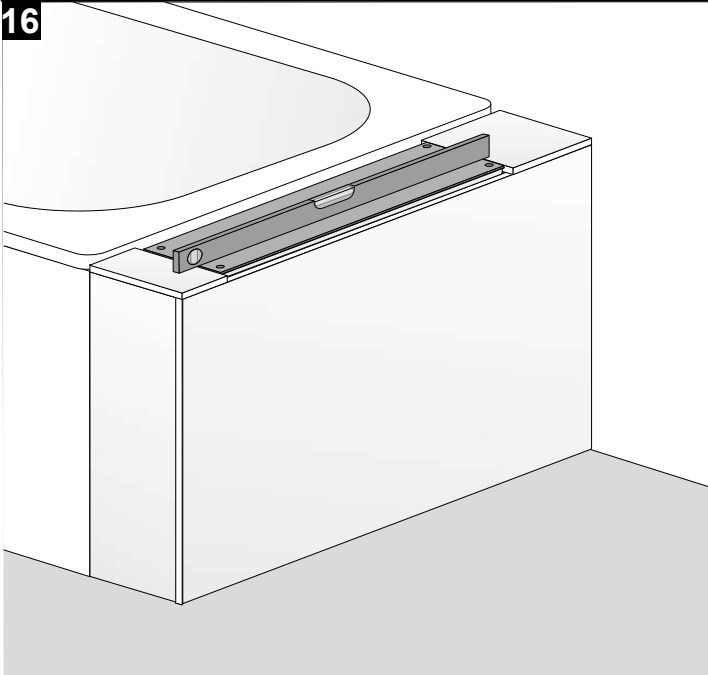
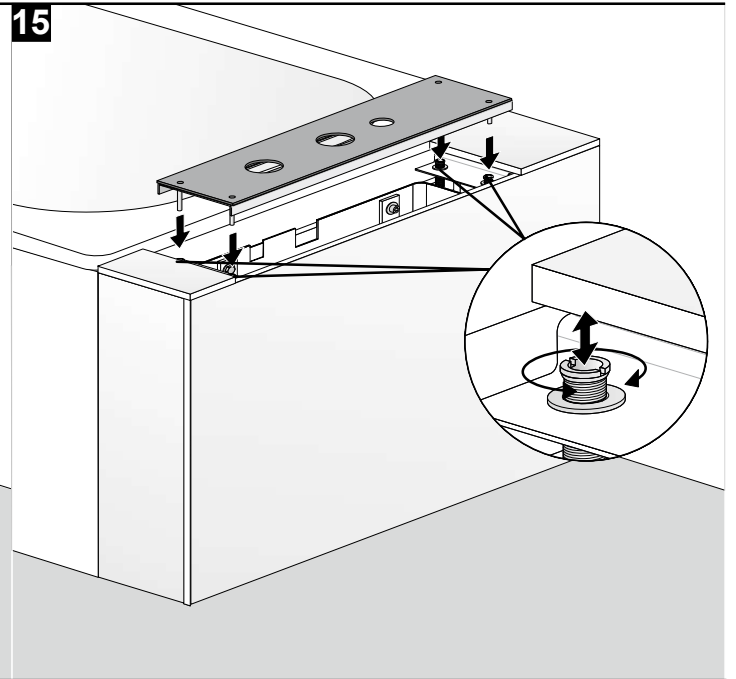
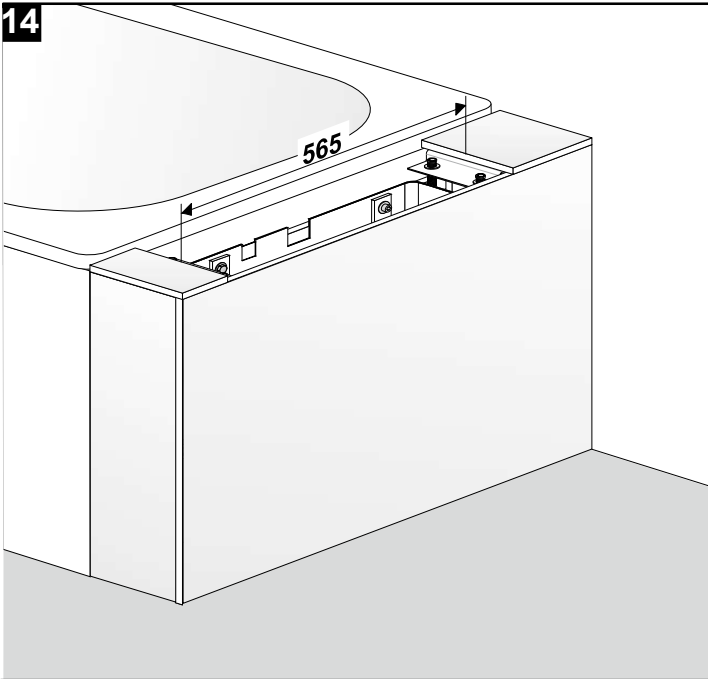
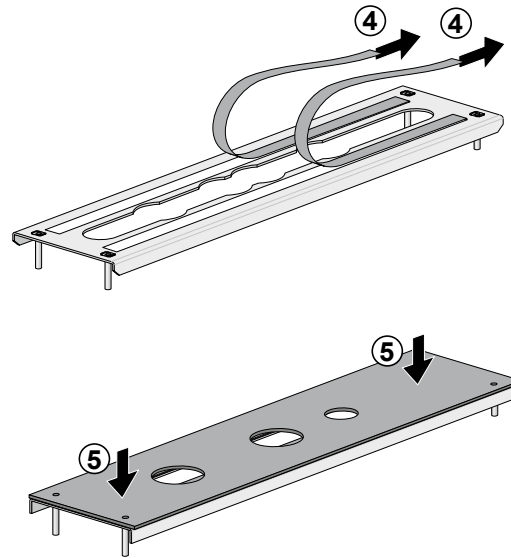
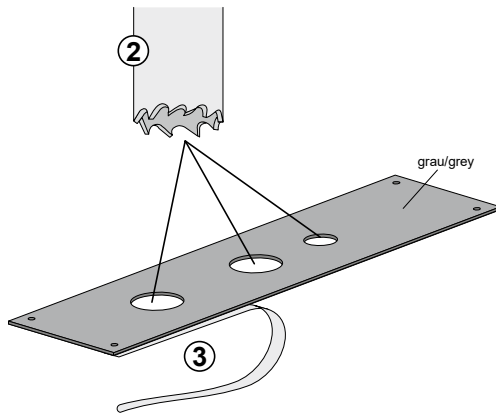
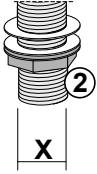
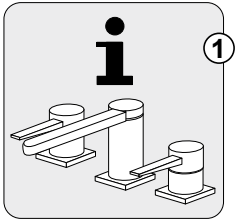
8



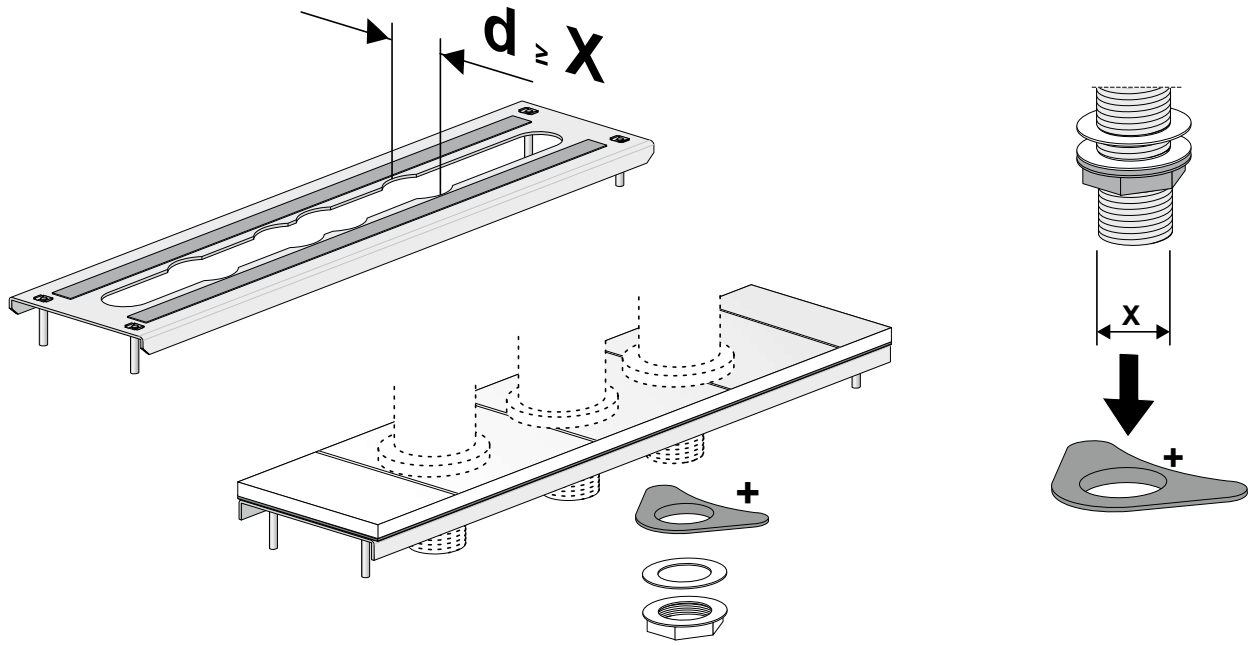
9



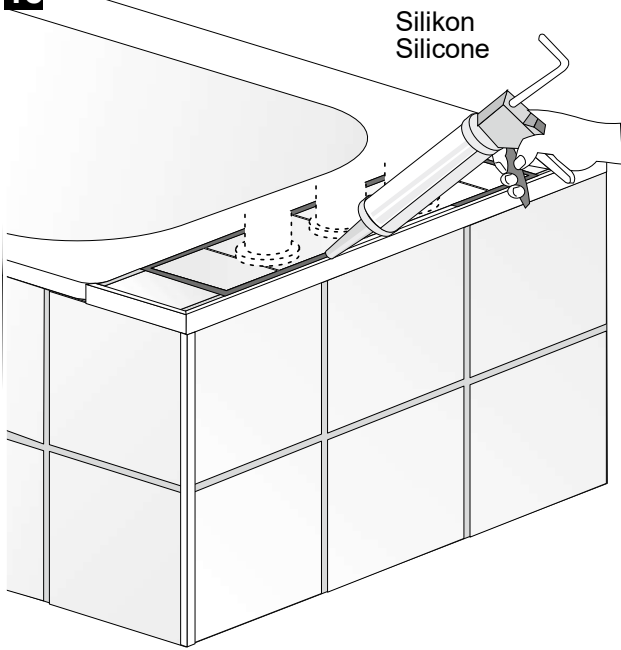


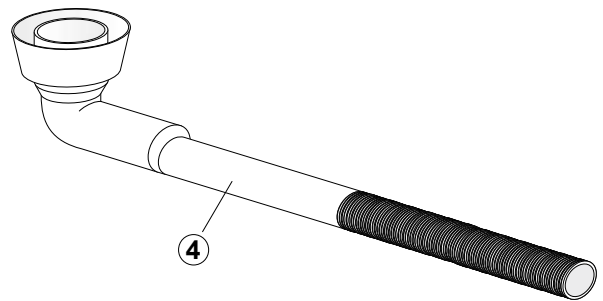
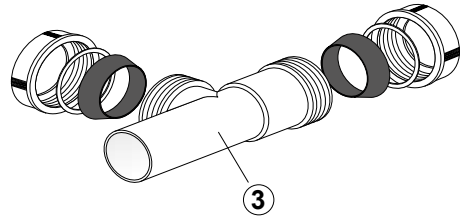
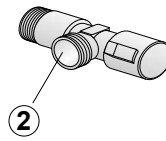
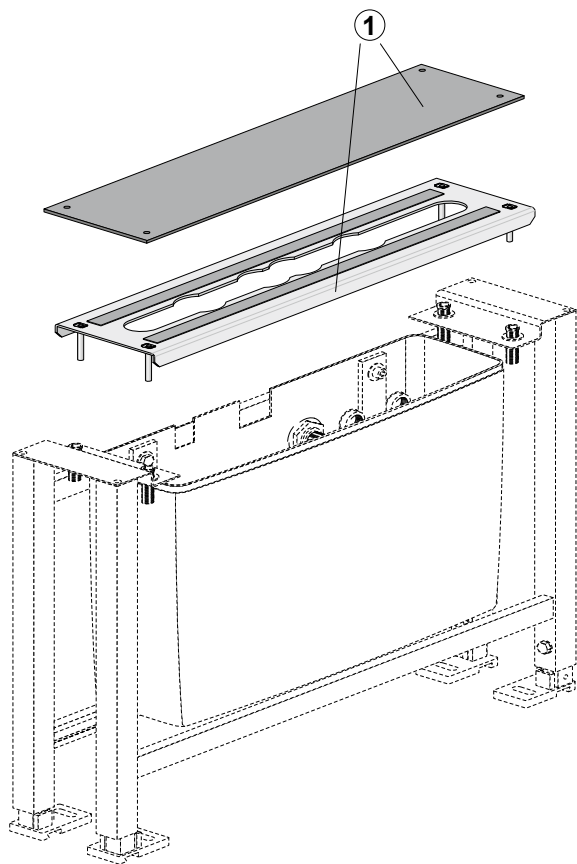


17



18





|   |                                      |                                       |                 |
|---|--------------------------------------|---------------------------------------|-----------------|
| 1 | Abdeckung Wannenrandelement          | Cover for concealed bath system frame | 05.226.00..0000 |
| 2 | Eckventil G ½ x G ½                  | Angle valve G ½ x G ½                 | 04.273.00..0000 |
| 3 | T-Stück ø=32 mm mit Rückschlagklappe | T-piece ø=32 mm with non-return flap  | 01.379.00..S000 |
| 4 | Abgangsbogen für Schlauchkasten      | Waste bend for turnable               | 05.225.00..0000 |