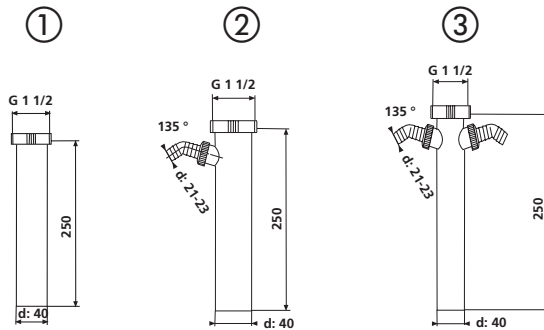
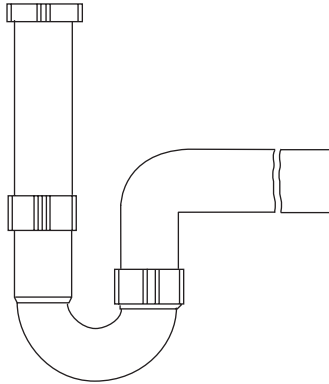


**Pipe trap (Code No. 31.201.00..0000)**



| No. | Name  | Code No.        | Recommended price/€ |
|-----|---|-----------------|---------------------|
| 1   | Connection pipe G1 1/2 x 250 x d: 40                      | 01.404.00..0000 |                     |
| 2   | Connection pipe with hose tap<br>G 1 1/2 x 250 x d: 40    | 01.405.00..0000 |                     |
| 3   | Connection pipe with 2 hose taps<br>G 1 1/2 x 250 x d: 40 | 01.478.00..0000 |                     |
|     |   |                 |                     |