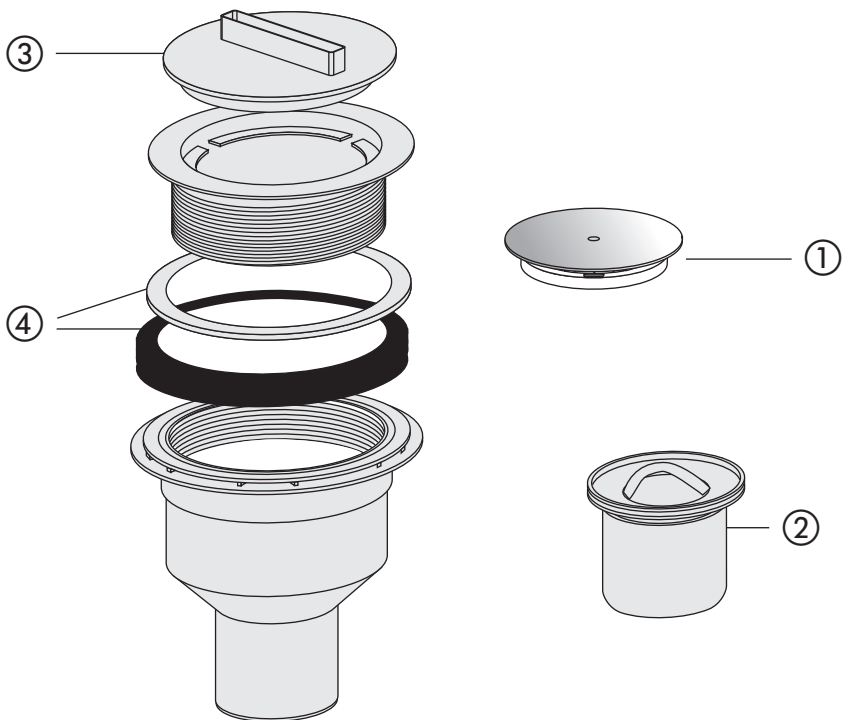


**Shower waste 823/905**



No.	Name	Code No.	Recommended price/€
1	Cover plate, chrome	05.165.81..0000	
	Cover plate, polished stainless steel	05.315.00..0000	
2	Trap insert	03.630.00..0000	
3	Installation wrench protection	04.116.00..0000	
4	Set of seals	03.629.00..0000	