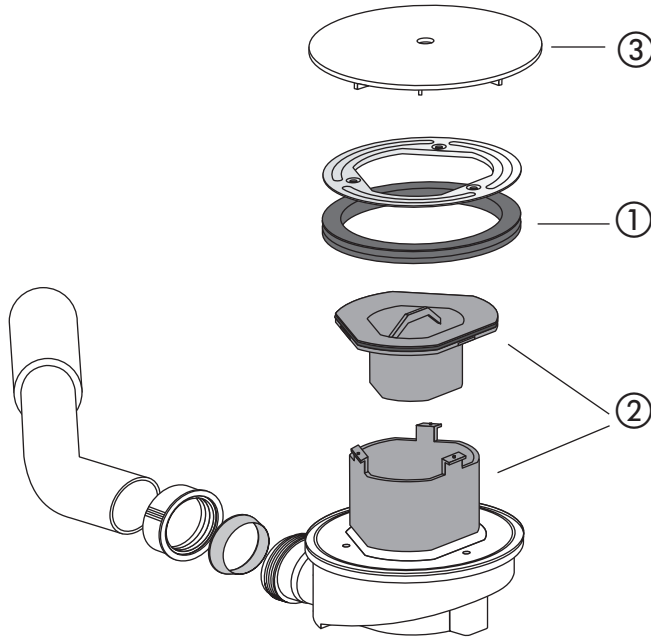


Shower waste 823/90-60



No.	Name	Code No.	Recommended price/€
1	Collar seal DA 823/90-60	04.271.00..0000	
2	Odour insert DA 823/90-60	05.198.00..0000	
3	Cover plate, chrome, DA 823/90-60	05.156.81..0000	