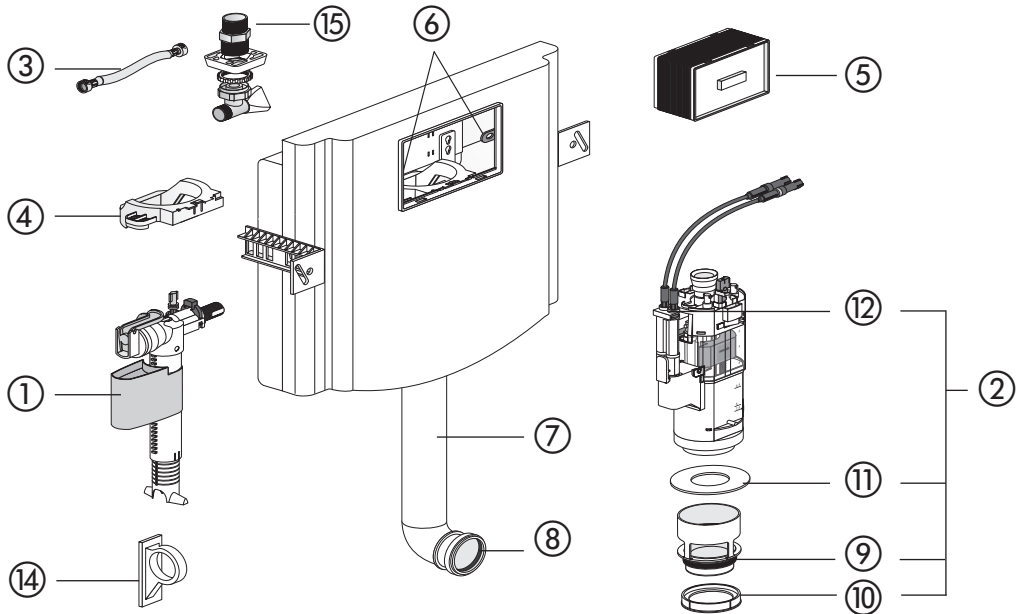


**Concealed cistern INEO, CC-121-S-FO-2V-2C, with small access opening**



No.	Name	Code No.	Recommended price/€
1	Universal fill valve 510, G 3/8 x 30 mm	25.001.00..0000	
2	Universal flush valve INEO	03.982.00..0000	
3	Flexible hose DN6 280 mm	05.266.00..0000	
4	Positioning device	04.204.00..0000	
5	Predetection box	16.030.00..0000	
6	Toggle	02.972.00..0000	
7	Flush pipe with lip seal	05.052.00..0000	
8	Lip seal d: 45	02.461.00..0000	
9	O-Ring d: 55 x 5	02.436.00..0000	
10	Flush flow reducer	02.758.00..0000	
11	Sealing ring d: 31 x d: 63 x 2.8	02.754.00..0000	
12	Cable box	05.019.00..0000	
13 *	Start/stop set	03.999.00..0000	
14	Fill valve support	03.851.00..0000	
15	Angle valve connection set R 1/2	05.173.00..0000	