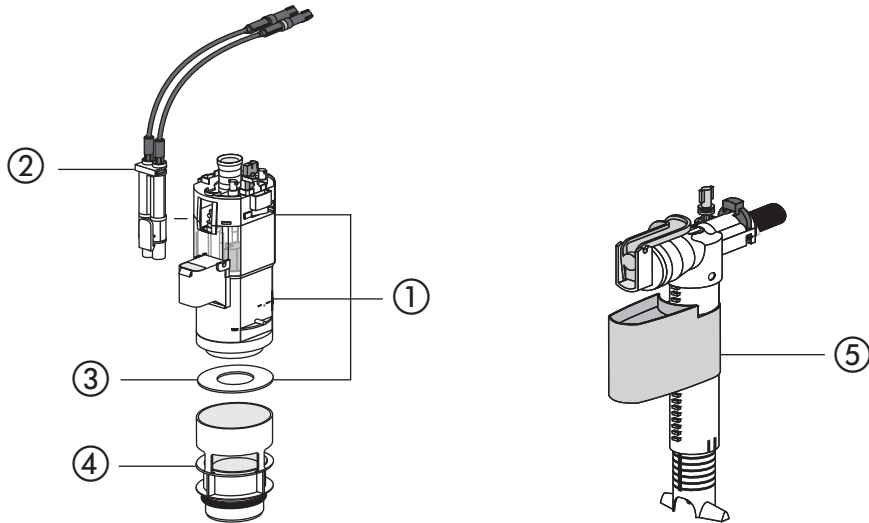


Conversion set INEO UPDATE



No.	Name	Code No.	Recommended price/€
1	Flush valve für conversion set INEO UPDATE	05.205.00..0000	
2	Cable box (380 mm)	05.206.00..0000	
3	Sealing ring d: 31 x d: 63 x 2.8	02.754.00..0000	
4	Bottom valve INEO UPDATE with sealing ring	05.207.00..0000	
5	Universal fill valve	25.001.00..0000	