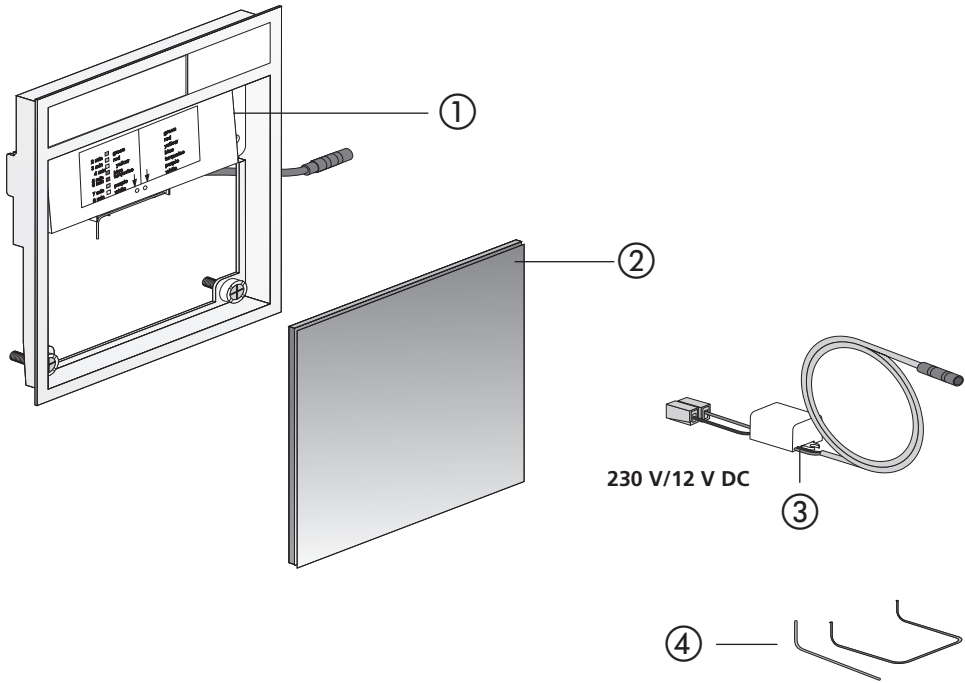


**Push plate LIS with illumination, flush mounted (Code No. 16.734.00..00XX)**



No.	Name	Code No.	Recommended price/€
1	Illumination module	05.134.00..0000	
2	Design element		
	glass, white	05.021.00..0001	
	glass, black	05.021.00..0003	
	glass, red*	05.021.00..0004	
	glass, silver grey*	05.021.00..0005	
	glass, anthracite*	05.021.00..0006	
	slate, grey*	05.021.00..0002	
	granite, black*	05.021.00..0007	
3	Power supply 230 V / 12V DC	05.135.00..0000	
4	Clip and Key	04.245.00..0000	

\*DISCONTINUED MODEL – delivery while stocks last