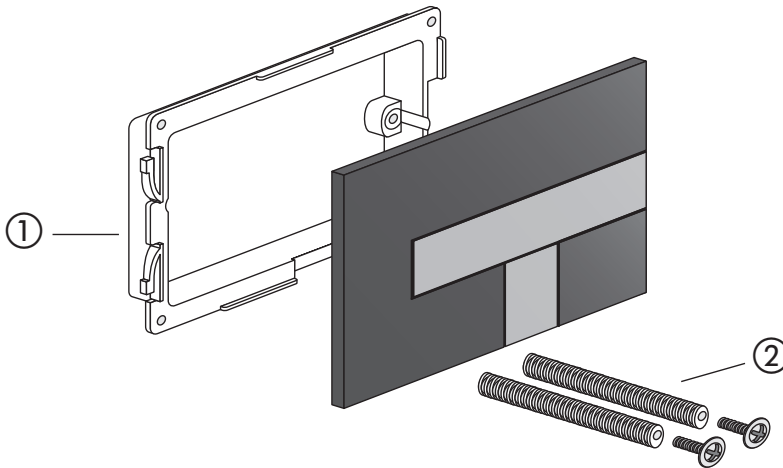


Push plate LOS (Code No. 16.733.00..00XX)



No.	Name	Code No.	Recommended price/€
1	Support bracket	05.078.00..0000	
2	Quick fixation bolts (pair)	01.231.00..0000	