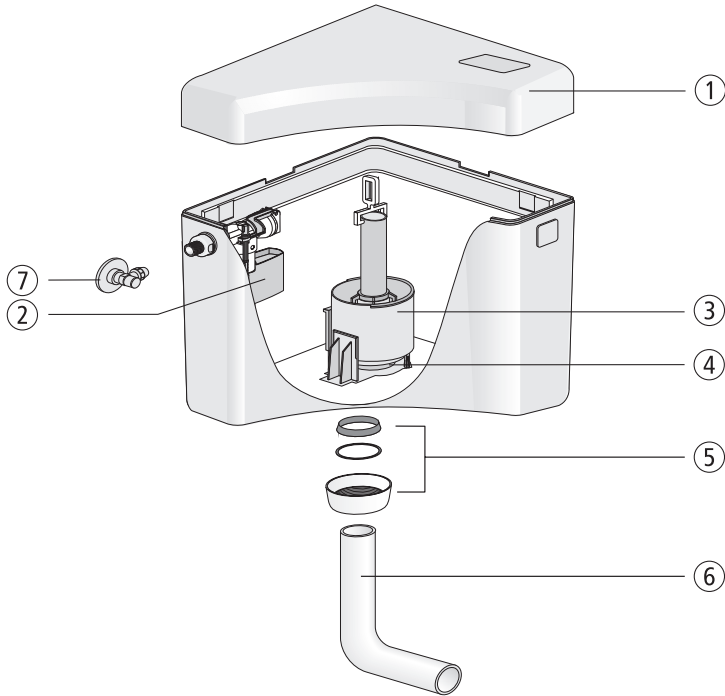


**Corner cistern 927 (delta)**

No.	Name	Code No.	Recommended price/€
1	Lid with push-button, alpine white	01.309.01..0000	
2	Universal fill valve 510, G 3/8 x 30 mm	25.001.00..0000	
3	Flush valve	01.308.00..0000	
4	Seal d: 31 x d: 63 x 2.8	02.754.00..0000	
5	Set of seals consisting of flush pipe seal, slide ring and cap nut G2	05.070.01..0000	
6	Flush pipe bend, alpine white	02.168.01..0000	
7	Angle valve G 1/2	01.269.00..0000	