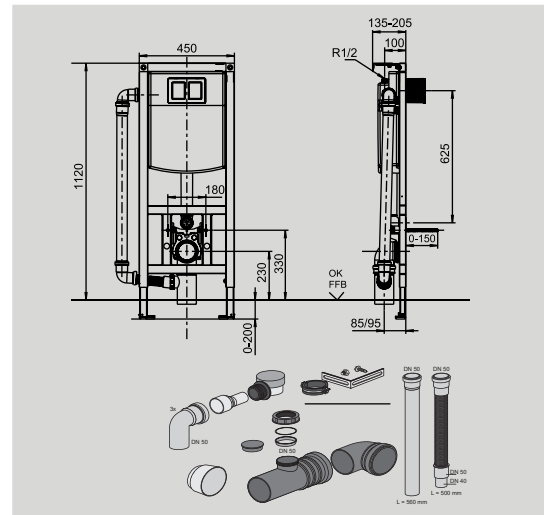
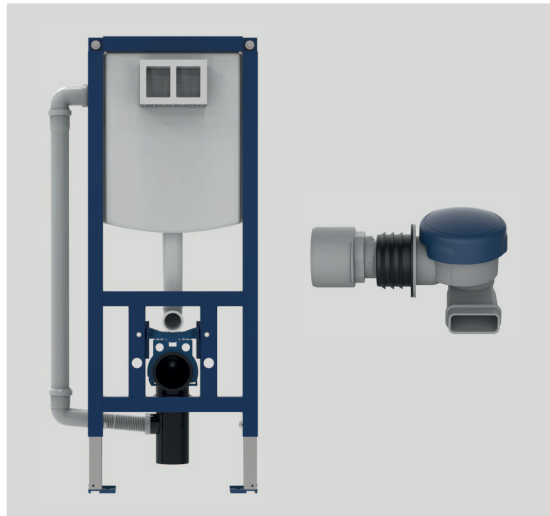


Product data sheet



WC element INEO PLUS 450 with ventilair® air-admittance valve set



WC element INEO PLUS 450

Usage

- for drywall construction
- for installation on the unfinished floor
- for floor construction from 0 to 200 mm
- for installation onto solid walls, in stud walls and INEO drywall construction system 996
- for single and dual flush

Features

- with small access opening, front-operated
- self-supporting, powder-coated steel frame
- frame for WC ceramics with small contact surface
- self-locking feet
- wivel base plates, suitable for installation in profiles UW50, UW75 and Sanit profile 996
- 4-point fastening
- SANIT concealed cistern (CC-121-S-FO-2V-2C) fully insulated against condensation
- SANIT fill valve Noise Class I
- angle valve connection set R 1/2, rear connection
- infinitely adjustable flush volume
- flow rate can be adjusted without removing flush valve
- protection box for access opening can be shortened
- empty pipe connection possibility for shower WC
- Connection bend adjustable in depth

Technical specifications

- flow pressure: 10-1000 kPa
- minimum flow pressure: 50 kPa
- flush volume factory setting: 6 and 3 l
- setting range for large flush volume: 7,5 - 4,5 l
- setting range for small flush volume: 4-2 l
- calculated flow rate: 0,12 l / sec

ventilair® air-admittance valve set

- air-admittance set for upgrading SANIT WC elements INEO PLUS with concealed cistern CC-121 in the shell construction phase
- compact and service-friendly design of the valves makes it easy to maintain and inspect them
- air-admittance opens when there is negative pressure in the pipe system and closes odour- and watertight after ventilation, the valve remains closed when the pressure is equalized
- no wall mounting box necessary
- can be easily removed via access opening of concealed cistern
- assembly suitable for installer as well as compact and slim design
- type-tested and monitored in accordance with DIN EN 12380
- volume flow can be used for one complete bath unit
- with rubber connector for the dimensions stated

WC element INEO PLUS 450

Included

- concealed cistern CC-121-S-FO-2V-2C
- self-supporting, powder-coated steel frame
- wall brackets
- ventilair air-admittance valve set DN 30-50 for horizontal connection in SANIT CC-121
- empty pipe
- protection box for access opening
- 2-part angle valve connection set R 1/2
- WC connecting bend 90° (d: 90 mm) with protection cap
- protection cap for the flush pipe
- reducing sleeve d: 90 / 110 mm
- WC connecting set d: 90 mm, L=180 mm
- fastenings

Code No.

- 90.741.00..0000

Accessories

- possible connections (extended wall brackets, feet, bottom wall bracket)
- WC flush actuators
- sound-absorbing sets
- WC connectors (double bend, offset connection bend, etc.)
- odour exhaust sets Code No. 05.020.00..0000
- plasterboard cladding panel Code No. 17.115.00..S000
- roughing-in set for shower WC Code No. 03.956.00..0000

Spare parts

- 25.003.00..0000 - Universal fill valve 510, G 3/8 x 20 mm
- 03.982.00..0000 - Universal flush valve INEO
- 05.266.00..0000 - Flexible hose DN6 x 280 mm
- 04.204.00..0000 - Positioning device
- 16.030.00..0000 - Protection box
- 02.972.00..0000 - Toggle
- 05.052.00..0000 - Flush pipe with lip seal
- 02.461.00..0000 - Lip seal d: 45
- 02.436.00..0000 - O-Ring d:55 x 5
- 02.754.00..0000 - Sealing ring d:31 x d:63 x 2.8
- 05.019.00..0000 - Cable box
- 03.851.00..0000 - Fill valve support
- 05.173.00..0000 - Angle valve connection set R1/2

Test marks

- Noise Class I, tested to DIN EN 14055



ventilair® air-admittance valve set

- horizontal air-admittance valve with rubber connector
- adaptor for horizontal air-admittance valve
- HT-pipe DN 50 L= 500 mm
- flexible connection pipe L= 500 mm
- HT-pipe DN 50, 87°
- connecting bend DN90 90°
- fastening set (elbow, pipe clamp, sealing caps)

