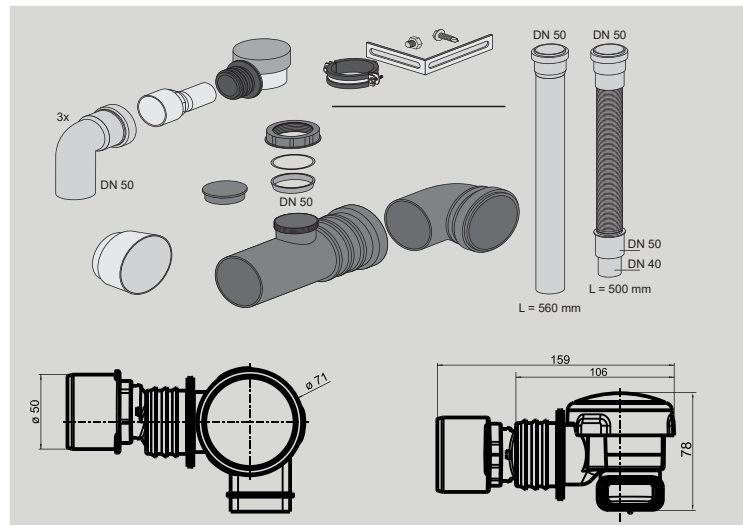


ventilair® air-admittance valve set for horizontal connection in SANIT concealed cisterns



Usage

- air-admittance set for upgrading Sanit WC elements Ineo Plus with concealed cistern CC-121 in the shell construction phase

Features

- compact and service-friendly design of the valves makes it easy to maintain and inspect them
- air-admittance opens when there is negative pressure in the pipe system and closes odour- and watertight after ventilation, the valve remains closed when the pressure is equalized
- no wall mounting box necessary
- can be easily removed via access opening of concealed cistern
- assembly suitable for installer as well as compact and slim design

Technical specifications

- type-tested and monitored in accordance with DIN EN 12380
- volume flow can be used for one complete bath unit
- with rubber connector for the dimensions stated

Included

- horizontal air-admittance valve with rubber connector
- adaptor for horizontal air-admittance valve
- HT-pipe DN 50 L= 500 mm
- flexible connection pipe L= 500 mm
- HT-pipe DN 50, 87°
- connecting bend DN90 90°
- fastening set (elbow, pipe clamp, sealing caps)

Code No.

- 11.030.00..0099

