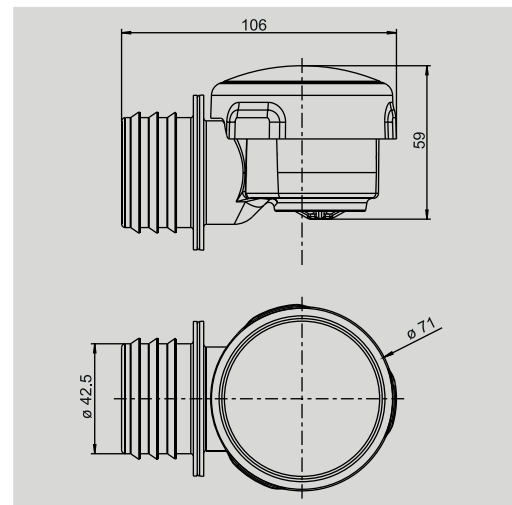


## ventilair® air-admittance valve DN 30-50 for horizontal connection



### Usage

- for horizontal connections

### Features

- compact and service-friendly design of the valves makes it easy to maintain and inspect them
- air-admittance opens when there is negative pressure in the pipe system and closes odour- and watertight after ventilation, the valve remains closed when the pressure is equalized
- no wall mounting box necessary
- assembly suitable for installer as well as compact and slim design

### Technical specifications

- type-tested and monitored in accordance with DIN EN 12380, type class A I
- volume flow 8 L/sec
- temperature range -20°C to +60°C
- with rubber connector for the dimensions stated DN 30 / DN 40 / DN 50

### Included

- horizontal air-admittance valve with rubber connector

### Code No.

- 11.031.00..0099

