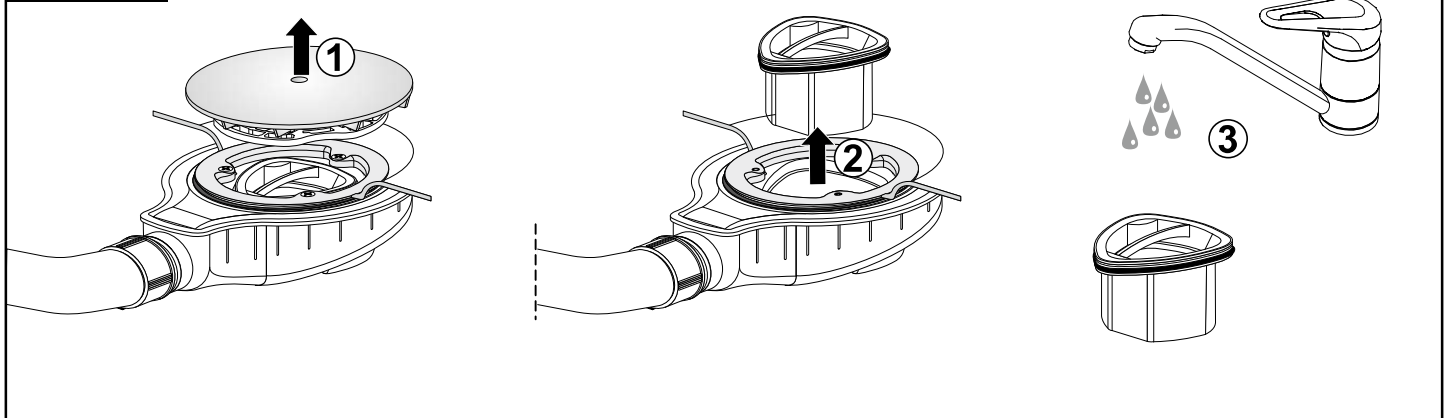
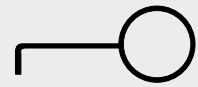


**Service**



# Service



Art. 04.236.00..0000

